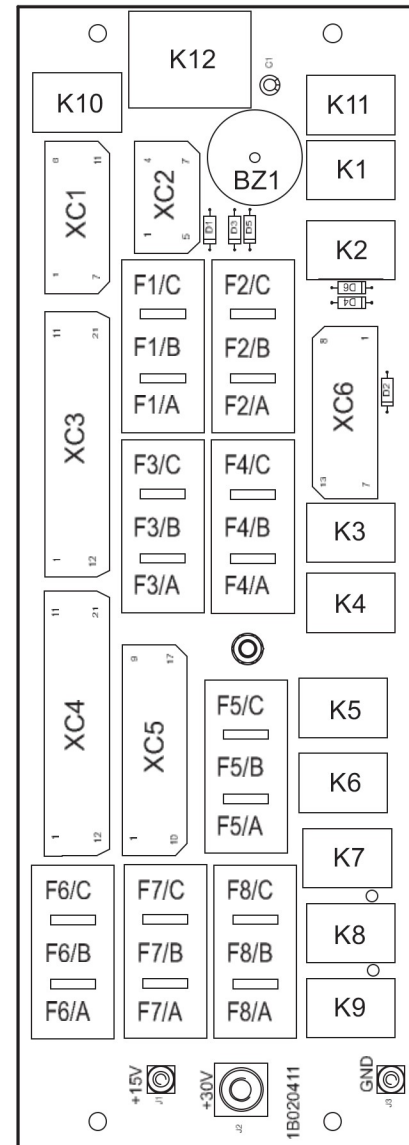


2. ELECTRICAL DIAGRAMS

2.1 ELECTRICAL DIAGRAMS - POWERSHUTTLE CAB

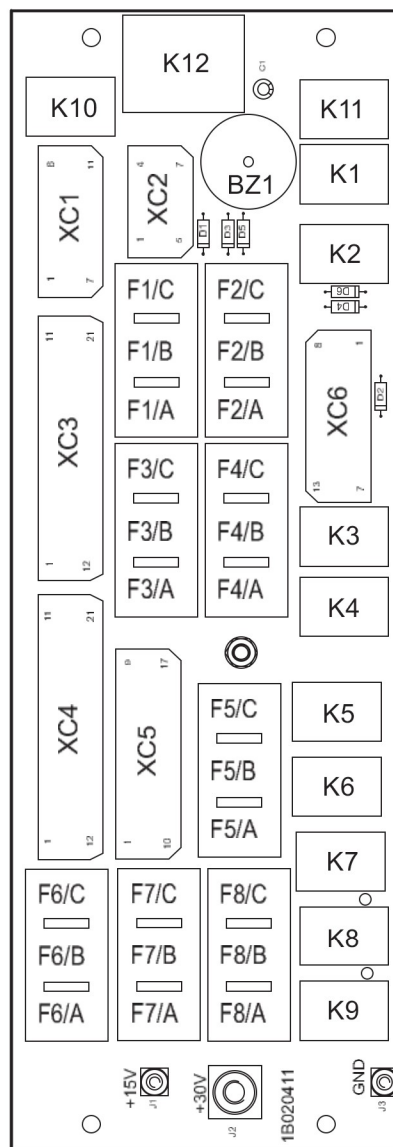
FUSES AND RELAYS DESCRIPTION

NAME	DESCRIPTION
F1A	Rear windshield wiper and rear windshield washer (15 A)
F1B	Fuel shut off, antitheft power supply, grid heater (7.5 A)
F1C	Stop lights switch (10 A)
F2A	Instruments power supply, switches lamps, brake oil level sensor, seat, buzzer (15 A)
F2B	Conditioner fuse (15 A)
F2C	Pilot control (15 A)
F3A	Rear right/front left side lights, instruments illumination, conditioner switch illumination (3 A)
F3B	Rear left/front right side lights, number plate light (3 A)
F3C	Front work light, Glide Ride control, double delivery, 4x1 grab switches (10 A)
F4A	Forward speed, reverse speed, reverse buzzer, speed switch (5 A)
F4B	Rear hammer button, grab level valve and sensor, clutch shut off buttons (10 A)
F4C	Rear excavator lock, rear translation lock, rear work light (10 A)
F5A	Front inner work lights (15 A)
F5B	Traffic lights (10 A)
F5C	Main beam (15 A)
F6A	Beacon lamp (7.5 A)
F6B	(+15) Flasher (7.5 A)
F6C	Hand hammer, 4WD (7.5 A)
F7A	(+30) Warning, horn (10 A)
F7B	Current intake, radio, roof lamp (10 A)
F7C	Front windshield wiper (6 A)
F8A	Outer rear work lights (15 A)
F8B	Outer front work lights (15 A)
F8C	Inner rear work lights (15 A)



F27167

NAME	DESCRIPTION
K1	Forward-reverse speed switch relay
K2	Speed alarm, hand brake relay
K3	Starting relay
K4	Grab level solenoid valve relay
K5	Traffic and main beam lights relay
K6	Inner front work lights relay
K7	Inner rear work lights relay
K8	Outer front work lights relay
K9	Outer rear work lights relay
K10	Reverse speed relay
K11	Forward speed relay
K12	Flasher



F27167

COMPONENTS AND CONNECTORS

NAME	DESCRIPTION	NAME	DESCRIPTION
BS1	Right speaker (optional)	M9	Optional blower motor
BS2	Left speaker (optional)	M10	A/C compressor
BZ1	Alarm buzzer	R1	Heating start
EV1	Double delivery solenoid valve (optional)	R2	Engine water temperature sender
EV2	Hand hammer solenoid valve (optional)	R3	Fuel level sender
EV3	Rear hammer solenoid valve (optional)	S2	4WD switch (optional)
EV4	Rear translation solenoid valve	S3	Hand hammer switch (optional)
EV5	Excavator rear lock solenoid valve (optional)	S4	Double delivery switch (optional)
EV6	Grab level solenoid valve	S5	Ride control switch (optional)
EV7	Fuel shut off solenoid valve	S7	Rear translation lock switch
EV8	4WD solenoid valve (optional)	S8	Excavator rear lock switch (optional)
EV9	Reverse speed solenoid valve	S9	Lights switch
EV10	Forward speed solenoid valve	S10	Hazard
EV11	Ride control solenoid valve (optional)	S11	Front work light switch
EV12	4x1 proportional solenoid valves (optional)	S12	Rear work light switch
FG1	General fuse 80 A	S14	Windshield wiper switch
FG2	A/C fuse 10 A	S15	Beacon lamp switch
G1	Battery	S17	Starting switch
G2	Generator	S18	Handbrake switch
H1	Excavator rear lock warning light (optional)	S20	Engine oil low pressure switch
H2	Front left light	S21	Air filter blocked switch
H3	Front right light	S24	Transmission oil pressure switch
H4	Rear left light	S25	Transmission oil high temperature switch
H5	Number plate lamp	S26	Clutch shut off button
H6	Rear right light	S27	Clutch shut off button
H11	Outer front left work light	S28	Grab sender
H12	Outer front right work light	S30	Rear hammer pedal button (optional)
H13	Outer rear left work light	S31	Brake oil level sender
H14	Outer rear right work light	S32	Stop light switch
H15	Beacon lamp	S33	Stop light switch
H16	Beacon lamp	S34	Roof lamp left switch
H17	Current intake illumination	S35	Roof lamp right switch
H18	Cab lamp	S40	Gear shift
H19	Inner front left work light (optional)	S41	Windshield wiper - Lights switch
H20	Inner front right work light (optional)	S42	Speedometer sender (optional)
H21	Inner rear left work light (optional)	S43	Radio (optional)
H22	Inner rear right work light (optional)	S44	Seat (optional)
HA1	Reverse speed buzzer	S45	Conditioner and blower motor switch
HA2	Horn	S46	Current intake
K01	Starter relay	S47	Main switch
K02	A/C relay	S48	Engine water high temperature switch
K13	Antitheft unit	S49	Air conditioned pressure switch
KC	Fuses-relays board	S50	Safety seat switch
M1	Starter motor	ST1	Side panel with optional diagnostics
M4	Rear windshield wiper motor	ST2	Front panel
M5	Front windshield wiper motor	ST3	Grip 4x1
M6	Rear windshield washer	X1	General cable-engine cable 18 way connector
M7	Front windshield washer		

NAME	DESCRIPTION	NAME	DESCRIPTION
X2	Cold start 6 way connector	X44	Front right work light 4 way connector
X3	Fuel shut off 1 way connector	X45	Front right work light (optional) 4 way connector
X4	Air filter 2 way connector	X46	Rear left work light (optional) 4 way connector
X5	Fuel level sender 2 way connector	X47	Rear left work light 4 way connector
X6	Forward speed 2 way connector	X49	Front windshield wiper 6 way connector
X7	Reverse speed 2 way connector	X50	Front left work light (optional) 4 way connector
X8	4WD 2 way connector	X51	Front left work light 4 way connector
X9	General cable-front dashboard 5 way connector	X53	Radio (brown colour) 8 way connector
X10	Solenoid valves cable - general cable 29 way connector	X54	Radio (black colour) 8 way connector
X11	1 Way connector	X55	Current intake 2 way connector
X12	General cable-cabin cable 5 way connector	X56	Front windshield washer 2 way connector
X14	General cable-side dashboard 9 way connector	X57	Rear windshield washer 2 way connector
X15	General cable-side dashboard 7 way connector	X58	Flasher unit 13 way connector
X16	General cable-side dashboard 21 way connector	X59	Right light 5 way connector
X17	Antitheft 11 way connector	X60	Horn/left light 7 way connector
X18	General cable-rear lamps cable 12 way connector	X61	Wiper and lights switch 12 way connector
X19	Reverse buzzer 2 way connector	X62	Gear shift 6 way connector
X21	Seat 4 way connector	X63	Number plate light 2 way connector
X22	Side panel 20 way connector	X64	A/C compressor 1 way connector
X23	Clutch shut off button 2 way connector	X65	Cold start switch 1 way connector
X24	Rear translation lock solenoid valve 2 way connector	X67	Generator 3 way connector
X25	Excavator rear lock solenoid valve 2 way connector	X68	Engine water temperature sender 3 way connector
X26	Grab sender 3 way connector	X69	A/C pressure switch 2 way connector
X27	Horn button 2 way connector	X70	Front panel 12 way connector
X28	Clutch shut off button 2 way connector	X71	Starting switch 10 way connector
X29	Grab level 2 way connector	X72	Pilot control line 1 way connector
X30	Double delivery solenoid valve 2 way connector	X73	Engine oil pressure switch 1 way connector
X31	4x1 connection solenoid valve 2 way connector	X75	Diagnostics 5 way connector
X32	Rear hammer solenoid valve 2 way connector	X76	Diagnostics 13 way connector
X33	Speedometer sender 2 way connector	X80	Beacon lamp 2 way connector
X34	Ride control solenoid valve 2 way connector	X81	Beacon lamp 2 way connector
X35	Hand hammer solenoid valve 2 way connector	X82	Controller 10 way connector
X36	Rear hammer button 2 way connector	X83	Relay 2 way connector
X38	Rear right work light 4 way connector	X89	Left lights 6 way connector
X39	Rear windshield wiper 4 way connector	X100	Right joystick 6 way connector
X40	Rear right work light (optional) 4 way connector	X101	Right lights 6 way connector
X41	Optional blower motor 2 way connector	X110	Conditioner 2 way connector
X43	Beacon lamp 4 way connector	X111	Conditioner 9 way connector
		XA	Horn 2 way connector
		XC1	On board 11 way connector
		XC2	On board 7 way connector
		XC3	On board 21 way connector
		XC4	On board 21 way connector
		XC5	On board 17 way connector
		XC6	On board 13 way connector

THANK YOU FOR VISITE WITH

www.repair-manuals.com

DOWNLOAD THIS FULL MANUAL

Until download and place it on your computer We care with you ,We really try our best to complete your orders, so your review is very important to us to improve our services

WE OFFER

ORIGINAL FACTORY MANUALS , WORKSHOP
MANUALS , SERVICE MANUALS , REPAIR

OUR VISION : 100 % CUSTOMER SATISFACTION,
AFTER SALE SERVICE AND KEEP IN TOUCH WITH