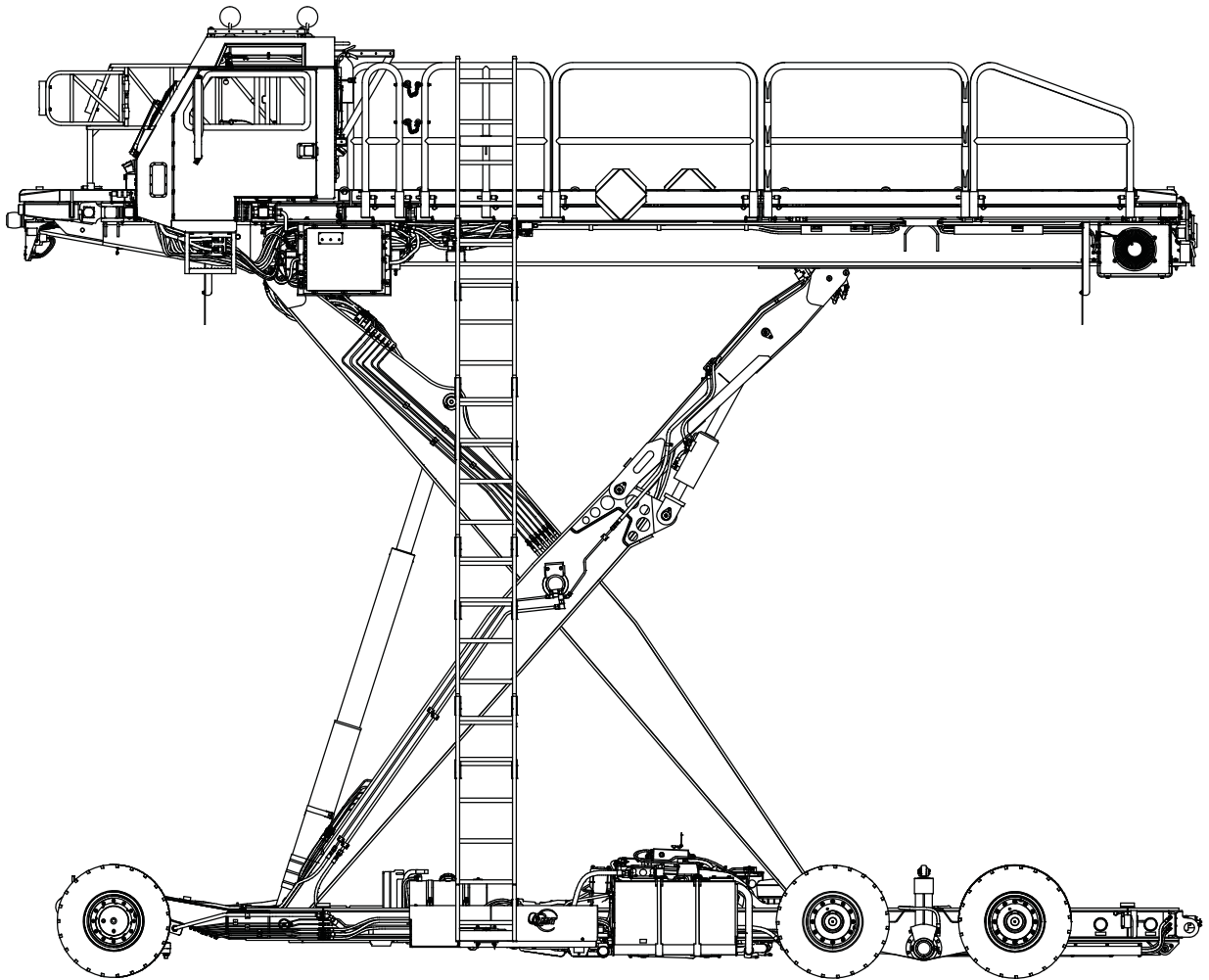


Halvorsen

25 000 lb. Loader for Aircraft



627-9734-0NN



GROUND SUPPORT AROUND THE WORLD

For assistance or questions with set-up, warranty or parts, please contact your closest JBT Sales and Service Center.

Location	Warranty and Service	Part Sales
<p>Orlando Headquarters John Bean Technologies Corp. 7300 Presidents Drive Orlando, Florida 32809 USA</p>	<p>Telephones +1.407.850.4207 worldwide 1.800.327.1686 within USA +1.407.850.4221 Fax orlando.service@jbtc.com</p>	<p>Telephones +1.407.850.4208 worldwide 1.800.821.3019 within USA +1.407.850.4221 Fax parts.orders@jbtc.com</p>
<p>Madrid John Bean Technologies AeroTech S.L. Autovía A-2, km 34,4 28805 Alcalá de Henares, Madrid, Spain</p>	<p>+34.91.877.5880 Telephone +34.91.877.5881 Fax madrid.parts@jbtc.com</p>	<p>+34.91.877.5883 Telephone +34.91.877.5884 Fax madrid.parts@jbtc.com</p>
<p>London John Bean Technologies Ltd. Arnold Hawker House Central Way Feltham, England Middlesex, United Kingdom TW14 0XQ</p>	<p>+44.208.587.0666 Telephone +44.208.587.0660 Fax london.service@jbtc.com</p>	<p>+44.208.831.2200 Telephone +44.208.587.0660 Fax london.parts@jbtc.com</p>
<p>Singapore John Bean Technologies Singapore Pte. Ltd. 6 Loyang Lane #03-00 Young Heng Industrial Building Singapore 508920</p>	<p>+65.6542.9255 Telephone +65.6542.7493 Fax singapore.jbtparts@jbtc.com</p>	<p>+65.6542.9255 Telephone +65.6542.7493 Fax singapore.jbtparts@jbtc.com</p>
JBTAeroTech.com	www.JBTAeroTechDirect.com	
<p>Comments or suggestions regarding our manuals? At JBT Technical Publications we are always improving our technical documentation. If you have any comments or suggestions, please contact us.</p>	<p>Technical Publications John Bean Technologies 7300 Presidents Drive Orlando, Florida 32809 USA</p>	<p>+1.407.851.3377 Telephone +1.407.850.4221 Fax technical.publications@jbtc.com</p>

THIS PAGE INTENTIONALLY LEFT BLANK

INTRODUCTION



WARNING

BEFORE ATTEMPTING TO OPERATE OR MAINTAIN THE VEHICLE, COMPLETELY READ AND UNDERSTAND THE OPERATION AND MAINTENANCE MANUAL, INCLUDING ALL DANGER, WARNING AND CAUTION STATEMENTS. MAINTENANCE MUST BE PERFORMED EXCLUSIVELY BY TRAINED AND QUALIFIED TECHNICIANS AND ACCORDING TO MAINTENANCE SCHEDULES AND MANUFACTURERS' RECOMMENDATIONS. FAILURE TO COMPLY WITH THIS WARNING MAY RESULT IN SERIOUS BODILY INJURY, DEATH, OR PROPERTY DAMAGE, INCLUDING DAMAGE TO THE VEHICLE! IF YOU HAVE ANY QUESTIONS REGARDING THE SAFE OPERATION OR PROPER MAINTENANCE, PLEASE CONTACT YOUR LOCAL JBT SERVICE CENTER BEFORE PROCEEDING.

1. PURPOSE

This technical manual presents operation, maintenance, service and parts procurement information for the Halvorsen, 25 000 lb. Loader for Aircraft, manufactured by JBT.

2. SCOPE

This manual describes the procedures for safe operation, maintenance and repair of the Halvorsen loader, and ordering of spare parts. This manual does not provide procedures or guidelines specific to the operation of the vehicle on airports or the handling of aircraft. It requires that operators be aware of all applicable rules and regulations for operating the vehicle in traffic, on the airport and with aircraft, and that the operator has been properly trained in the operation of the vehicle. Maintenance and repairs must only be performed by technicians skilled and experienced on heavy industrial vehicles.

3. TERMS

Throughout this manual, the Halvorsen will be referred to as the "vehicle" or "unit." The terms "right" and "left" in the descriptive paragraphs refer to the operator's right and left from a normal operating position. For additional terms and acronyms used in this manual refer to Chapter 1, Section 1, "Description".

NOTE: MAINTENANCE IS DEFINED AS, BUT NOT LIMITED TO, INSPECTIONS, CHECKS, ADJUSTMENTS, TROUBLESHOOTING, REPAIRS, REMOVAL, REPLACEMENT OF COMPONENTS, MODIFICATIONS OR ANY OTHER WORK, REQUIRED FOR THE VEHICLE TO OPERATE.

4. IMPORTANT SAFETY NOTICE

This manual contains instructions, warnings and cautions based on normal operation and maintenance practices. In addition to the instructions in this manual, operators and maintenance personnel should follow all locally applicable guidelines and regulations, and maintain the vehicle in optimum condition and avoid hazardous situations. A safety conscious operator and a well cared for vehicle make a safe and efficient combination.

Your vehicle may operate slightly different depending on specifications and optional features.



5. VEHICLE MODIFICATIONS OR TAMPERING

Modifications, including changing of settings, replacement of parts with no OEM parts and addition of components or features may affect the safety and operational ability of the vehicle. Do not make modifications without prior written approval from JBT, Orlando, Florida, USA.

Tampering with emission control devices by means of removing, bypassing, defeating, damaging or in any way rendering ineffective any vehicle emission control device or element, including diesel exhaust fluid (DEF) to be used or installed on the vehicle is prohibited and will void all warranties and subject to federal, state and local laws and fines.

6. TECHNICAL ADVISORIES

JBT may issue technical advisories during the life span of the vehicle. These technical advisories are intended to improve the reliability of the vehicle or address any safety related issues that may arise. Unless the technical advisory instructs otherwise, please insert it immediately after the list of warnings and cautions located in the front of this manual.

To receive these important technical advisories, it is required that you inform JBT in the event the contact information of the person responsible for this equipment has changed, the vehicle has moved to a different location, or the vehicle has transferred ownership.

Required Information:

- Equipment type
- Serial number(s)
- Vehicle's operating location address
- Technical Advisory mailing information (No P.O. boxes please)
- Contact personnel (GSE Manager, Safety Manager)
- Telephone number(s)
- E-mail address(es)

Please send this information to:

Technical Publications Dept.
 JBT, Ground Support Equipment
 7300 Presidents Drive
 Orlando, Florida 32809
 USA

technical.publications@jbt.com

7. CE COMPLIANCE

This vehicle meets or exceeds the following CE requirements:

- Machinery Directive - Annex IV 2006/42/EC



EC Declaration of Conformity

This document declares that the machinery fulfills the relevant provisions of 2006/42/EC.

EC Type Examination Certificate Number “(Pending)”

Certificate issued by SMP Svensk Maskinprovning AB
THE SWEDISH MACHINERY TESTING INSTITUTE
PO Box 7035,
SE-750 07 Uppsala, Sweden
NB No.: 0404

This Machine also fulfills the applicable requirements of the following EC Directives:

2006/95/EC, Low Voltage Directive
2004/108/EC, EMC-directive

Standards taken into consideration:

Inspection is based on EN 915-1:2013 and EN 12312-9:2013.

Place of Manufacture

John Bean Technologies Corporation
JBT AeroTech
7300 Presidents Drive
Orlando, Florida 32809
United States of America
Phone +1.407.851.3377
Fax +1.407.850.2839

Technical Documentation Contact

JBT AeroTech
CO: Engineering Manager
Autovía A-2, km 34,4
28805 Alcalá de Henares
Madrid, Spain
Phone +34.91.877.5880
Fax +34.91.877.5881

Type of Equipment:

25 000 lb. Loader for Aircraft
Model: Halvorsen
Serial No.:
Spec No.:

Signature: _____

Name
Title
JBT AeroTech

Date:

2015-05-01

NOTE: CERTIFICATES ARE ISSUED FOR EACH VEHICLE BASED ON INDIVIDUAL CUSTOMER SPECIFICATION.

8. VEHICLE IDENTIFICATION PLATE

The vehicle identification plate contains specific information about your vehicle such as model, specification number, serial number, manufacturing date, and other pertinent information. Refer to [Figure 1](#) for the location of your vehicle's identification plate.

NOTE: BE SURE TO HAVE THE INFORMATION FROM THE VEHICLE IDENTIFICATION PLATE READILY AVAILABLE WHEN CALLING JBT FOR PARTS OR SERVICE.

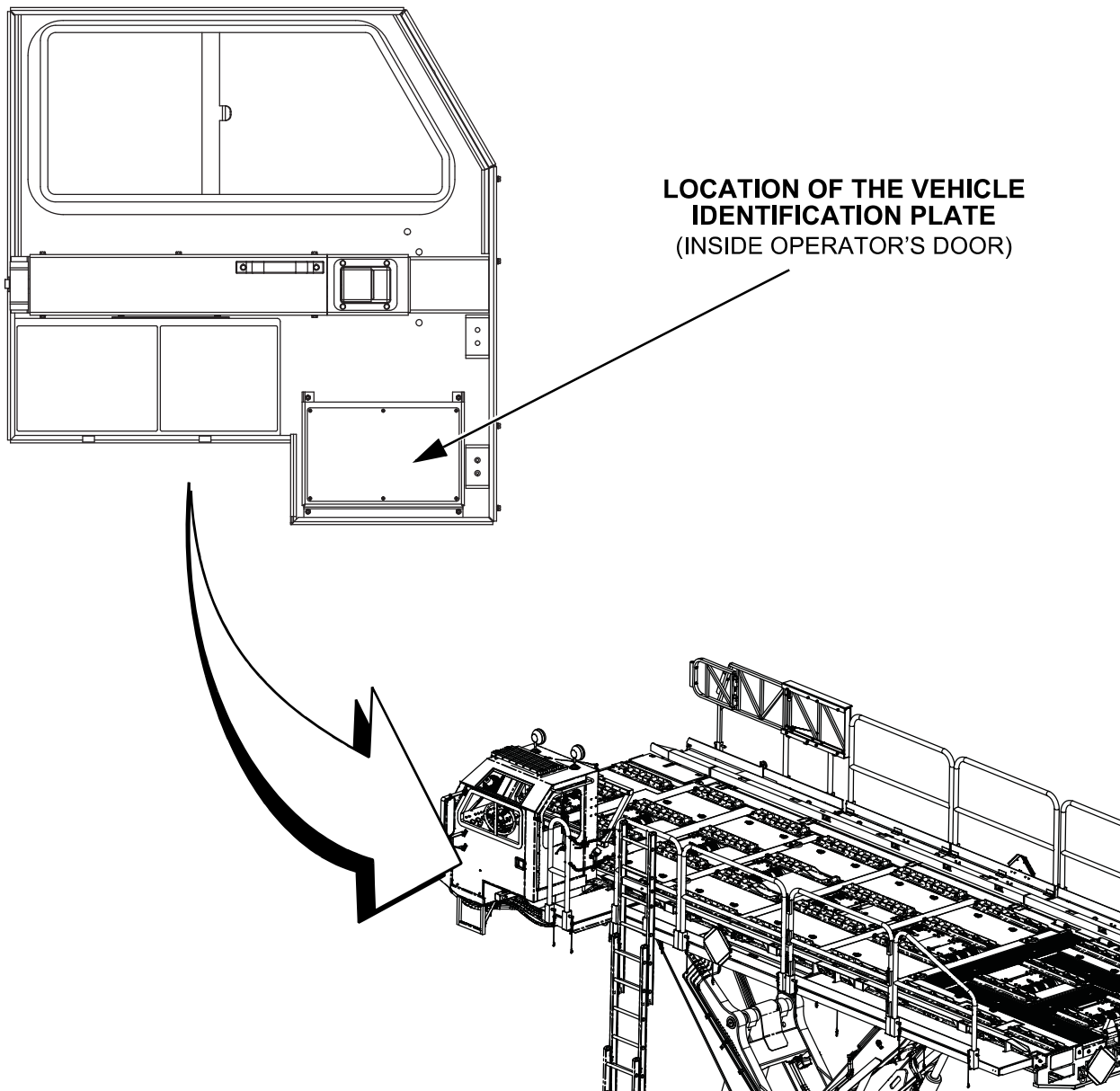


Figure 1
VEHICLE IDENTIFICATION PLATE

THANK YOU FOR VISITE WITH

www.repair-manuals.com

DOWNLOAD THIS FULL MANUAL

Until download and place it on your computer We care with you ,We really try our best to complete your orders, so your review is very important to us to improve our services

WE OFFER

ORIGINAL FACTORY MANUALS , WORKSHOP
MANUALS , SERVICE MANUALS , REPAIR

OUR VISION : 100 % CUSTOMER SATISFACTION,
AFTER SALE SERVICE AND KEEP IN TOUCH WITH