

**686G, 686GXR and 688G SERIES 2  
TELESCOPIC HANDLERS  
Service Manual  
7-16041**

**Table of Contents**

Description	Section No.	Form No.
<b>General</b>		
	<b>Tab 1</b>	
Section Index - General		7-16070
Standard Torque Specification	1001	8-71601
Fluids and Lubricants	1002	7-16080
Safety and General Information	1003	7-16090
Loctite Product Chart		8-98902
<b>Engine</b>		
	<b>Tab 2</b>	
Section Index- Engine		7-90140
Diesel Engine Specifications	2000	7-16100
Engine and Transmission Removal and Installation	2001	7-89691
Engine Troubleshooting	2002	7-89701
<b>Fuel System</b>		
	<b>Tab 3</b>	
Section Index- Fuel System		7-16110
<b>Electrical</b>		
	<b>Tab 4</b>	
Section Index - Electrical		7-16700
Electrical System General	4000	7-16710
Electrical Schematics and Troubleshooting	4001	7-16720
Electrical Gauges and Senders	4005	7-89741
Alternator	4007	7-49250
<b>Steering</b>		
	<b>Tab 5</b>	
Section Index - Steering		7-90170
How It Works	5000	7-89751
Steering Specifications	5001	7-89760
Steering Troubleshooting	5002	7-89771
Steering Pump and Steering Column	5003	7-89781
Steering Selector Valve	5004	7-89791
Steering Priority Valve	5005	7-89800

**Reprinted**

**686G, 686GXR and 688G SERIES 2  
TELESCOPIC HANDLERS  
Service Manual  
7-16041**

**Table of Contents**

Description	Section No.	Form No.
<b>Power Train</b>		<b>Tab 6</b>
Section Index - Power Train		7-90180
How It Works	6000	7-89820
Removal and Installation of Power Train Components	6001	7-16730
Transmission Specifications and Troubleshooting	6002	7-89841
Drive Axle	6004	7-16740
<b>Brakes</b>		<b>Tab 7</b>
Section Index - Brakes		7-90190
How It Works	7000	7-16750
Brake System Specifications	7001	7-89870
Brake System Troubleshooting	7002	7-89880
Brake System Removal and Installation of Components	7003	7-89891
<b>Hydraulics</b>		<b>Tab 8</b>
Section Index - Hydraulics		7-90201
How It Works	8000	7-16760
Hydraulic Specifications, Schematics and Troubleshooting	8001	7-17210
Hydraulic Specifications, Schematics and Troubleshooting 686GXR P.I.N. JFE0001848 and after, 688G P.I.N. JFE0003613 and after	8001	6-49340
Removal and Installation of Hydraulic Components	8002	7-90281
Hydraulic Cylinders	8006	7-16770
Hydraulic and Fuel Tanks	8007	7-89930
<b>Mounted Equipment and Chassis</b>		<b>Tab 9</b>
Section Index- Mounted Equipment and Chassis		7-90210
How It Works	9000	7-16780
Specifications, and Troubleshooting	9001	7-16790
Removal and Installation of Boom Components	9005	7-16800
Electrical Schematic and Hydraulic Schematic Foldout - 686G,686GXR, and 688G		7-17200
Electrical Schematic and Hydraulic Schematic Foldout - 686GXR Series 2 Machines P.I.N. JFE0001848 and After and 688G Series 2 Machines P.I.N. JFE0003613 and After		6-49430

# SECTION INDEX - GENERAL

## Section Title

## Section Number

Standard Torque Specification .....	1001
Fluids and Lubricants .....	1002
General Specifications.....	1003
Loctite Product Chart	

CASE CORPORATION  
700 State Street  
Racine, WI 53404 U.S.A.

CASE CANADA CORPORATION  
450 Sherman Avenue  
Hamilton, ON L8N 4C4 CANADA



# Section 1001

## STANDARD TORQUE SPECIFICATIONS

CASE CORPORATION  
700 State Street  
Racine, WI 53404 U.S.A.

CASE CANADA CORPORATION  
3350 South Service Road  
Burlington, ON L7N 3M6 CANADA

Rac 8-71601

© 1994 Case Corporation  
Printed in U.S.A.  
Issued November, 1991

## TABLE OF CONTENTS

TORQUE SPECIFICATIONS - DECIMAL HARDWARE ..... 2


TORQUE SPECIFICATIONS - METRIC HARDWARE ..... 3


TORQUE SPECIFICATIONS - STEEL HYDRAULIC FITTINGS ..... 4

TORQUE SPECIFICATIONS - STEEL HYDRAULIC FITTINGS ..... 5

### TORQUE SPECIFICATIONS - DECIMAL HARDWARE

Use the torques in this chart when special torques are not given. These torques apply to fasteners with both UNC and UNF threads as received from suppliers dry, or when lubricated with engine oil. Not applicable if special graphities, Molydisulfide greases, or other extreme pressure lubricants are used.

<b>Grade 5 Bolts, Nuts, and Studs</b>		
		
Size	Pound-Inches	Newton metres
1/4 inch	108 to 132	12 to 15
5/16 inch	204 to 252	23 to 28
3/8 inch	420 to 504	48 to 57
Size	Pound-Feet	Newton metres
7/16 inch	54 to 64	73 to 87
1/2 inch	80 to 96	109 to 130
9/16 inch	110 to 132	149 to 179
5/8 inch	150 to 180	203 to 244
3/4 inch	270 to 324	366 to 439
7/8 inch	400 to 480	542 to 651
1.0 inch	580 to 696	787 to 944
1-1/8 inch	800 to 880	1085 to 1193
1-1/4 inch	1120 to 1240	1519 to 1681
1-3/8 inch	1460 to 1680	1980 to 2278
1-1/2 inch	1940 to 2200	2631 to 2983


<b>Grade 8 Bolts, Nuts, and Studs</b>		
		
Size	Pound-Inches	Newton metres
1/4 inch	144 to 180	16 to 20
5/16 inch	288 to 348	33 to 39
3/8 inch	540 to 648	61 to 73
Size	Pound-Feet	Newton metres
7/16 inch	70 to 84	95 to 114
1/2 inch	110 to 132	149 to 179
9/16 inch	160 to 192	217 to 260
5/8 inch	220 to 264	298 to 358
3/4 inch	380 to 456	515 to 618
7/8 inch	600 to 720	814 to 976
1.0 inch	900 to 1080	1220 to 1465
1-1/8 inch	1280 to 1440	1736 to 1953
1-1/4 inch	1820 to 2000	2468 to 2712
1-3/8 inch	2380 to 2720	3227 to 3688
1-1/2 inch	3160 to 3560	4285 to 4827


**NOTE:** Use thick nuts with Grade 8 bolts.

## TORQUE SPECIFICATIONS - METRIC HARDWARE

Use the following torques when specifications are not given.

These values apply to fasteners with coarse threads as received from supplier, plated or unplated, or when lubricated with engine oil. These values do not apply if graphite or Molydisulfide grease or oil is used.

Grade 8.8 Bolts, Nuts, and Studs		
		
Size	Pound-Inches	Newton metres
M4	24 to 36	3 to 4
M5	60 to 72	7 to 8
M6	96 to 108	11 to 12
M8	228 to 276	26 to 31
M10	456 to 540	52 to 61
Size	Pound-Feet	Newton metres
M12	66 to 79	90 to 107
M14	106 to 127	144 to 172
M16	160 to 200	217 to 271
M20	320 to 380	434 to 515
M24	500 to 600	675 to 815
M30	920 to 1100	1250 to 1500
M36	1600 to 1950	2175 to 2600

Grade 10.9 Bolts, Nuts, and Studs		
		
Size	Pound-Inches	Newton metres
M4	36 to 48	4 to 5
M5	84 to 96	9 to 11
M6	132 to 156	15 to 18
M8	324 to 384	37 to 43
Size	Pound-Feet	Newton metres
M10	54 to 64	73 to 87
M12	93 to 112	125 to 150
M14	149 to 179	200 to 245
M16	230 to 280	310 to 380
M20	450 to 540	610 to 730
M24	780 to 940	1050 to 1275
M30	1470 to 1770	2000 to 2400
M36	2580 to 3090	3500 to 4200

### Grade 12.9 Bolts, Nuts, and Studs



Usually the torque values specified for grade 10.9 fasteners can be used satisfactorily on grade 12.9 fasteners.

## TORQUE SPECIFICATIONS - STEEL HYDRAULIC FITTINGS

Tube OD Hose ID	Thread Size	Pound- Inches	Newton metres
<b>37 Degree Flare Fitting</b>			
1/4 inch 6.4 mm	7/16-20	72 to 144	8 to 16
5/16 inch 7.9 mm	1/2-20	96 to 192	11 to 22
3/8 inch 9.5 mm	9/16-18	120 to 300	14 to 34
1/2 inch 12.7 mm	3/4-16	180 to 504	20 to 57
5/8 inch 15.9 mm	7/8-14	300 to 696	34 to 79
Tube OD Hose ID	Thread Size	Pound- Inches	Newton metres
3/4 inch 19.0 mm	1-1/16-12	40 to 80	54 to 108
7/8 inch 22.2 mm	1-3/16-12	60 to 100	81 to 135
1.0 inch 25.4 mm	1-5/16-12	75 to 117	102 to 158
1-1/4 inch 31.8 mm	1-5/8-12	125 to 165	169 to 223
1-1/2 inch 38.1 mm	1-7/8-12	210 to 250	285 to 338

Tube OD Hose ID	Thread Size	Pound- Inches	Newton metres
<b>Straight Threads with O-ring</b>			
1/4 inch 6.4 mm	7/16-20	144 to 228	16 to 26
5/16 inch 7.9 mm	1/2-20	192 to 300	22 to 34
3/8 inch 9.5 mm	9/16-18	300 to 480	34 to 54
1/2 inch 12.7 mm	3/4-16	540 to 804	57 to 91
Tube OD Hose ID	Thread Size	Pound- Inches	Newton metres
5/8 inch 15.9 mm	7/8-14	58 to 92	79 to 124
3/4 inch 19.0 mm	1-1/16-12	80 to 128	108 to 174
7/8 inch 22.2 mm	1-3/16-12	100 to 160	136 to 216
1.0 inch 25.4 mm	1-5/16-12	117 to 187	159 to 253
1-1/4 inch 31.8 mm	1-5/8-12	165 to 264	224 to 357
1-1/2 inch 38.1 mm	1-7/8-12	250 to 400	339 to 542

<b>Split Flange Mounting Bolts</b>		
Size	Pound- Inches	Newton metres
5/16-18	180 to 240	20 to 27
3/8-16	240 to 300	27 to 34
7/16-14	420 to 540	47 to 61
Size	Pound- Feet	Newton metres
1/2-13	55 to 65	74 to 88
5/8-11	140 to 150	190 to 203

## TORQUE SPECIFICATIONS - STEEL HYDRAULIC FITTINGS

Nom. SAE Dash Size	Tube OD	Thread Size	Pound-Inches	Newton metres	Thread Size	Pound-Inches	Newton metres
<b>O-ring Face Seal End</b>					<b>O-ring Boss End Fitting or Lock Nut</b>		
-4	1/4 inch 6.4 mm	9/16-18	120 to 144	14 to 16	7/16-20	204 to 240	23 to 27
-6	3/8 inch 9.5 mm	11/16-16	216 to 240	24 to 27	9/16-18	300 to 360	34 to 41
-8	1/2 inch 12.7 mm	13/16-16	384 to 480	43 to 54	3/4-16	540 to 600	61 to 68
					Thread Size	Pound-Inches	Newton metres
-10	5/8 inch 15.9 mm	1-14	552 to 672	62 to 76	7/8-14	60 to 65	81 to 88
Nom. SAE Dash Size	Tube OD	Thread Size	Pound-Inches	Newton metres	1-1/16-12	85 to 90	115 to 122
					1-3/16-12	95 to 100	129 to 136
-12	3/4 inch 19.0 mm	1-3/16-12	65 to 80	90 to 110	1-5/16-12	115 to 125	156 to 169
-14	7/8 inch 22.2 mm	1-3/16-12	65 to 80	90 to 110	1-5/8-12	150 to 160	203 to 217
-16	1.0 inch 25.4 mm	1-7/16-12	92 to 105	125 to 140	1-7/8-12	190 to 200	258 to 271
-20	1-1/4 inch 31.8 mm	1-11/16-12	125 to 140	170 to 190			
-24	1-1/2 inch 38.1 mm	2-12	150 to 180	200 to 254			

**NOTE:** Case Corporation reserves the right to make improvements in design or changes in specifications at any time without incurring any obligation to install them on units previously sold.



# Section 1002

1002

## FLUIDS AND LUBRICANTS

CASE CORPORATION  
700 State Street  
Racine, WI 53404 U.S.A.

CASE CANADA CORPORATION  
450 Sherman Avenue  
Hamilton, ON L8N 4C4 CANADA

Bur 7-16080

© 1999 Case Corporation  
Printed in U.S.A.  
November, 1999

## TABLE OF CONTENTS

CONVERSION FORMULAS .....	2
CAPACITIES AND LUBRICANTS .....	3
ENGINE OIL RECOMMENDATIONS .....	4
DIESEL FUEL .....	5
Fuel Storage .....	5

## CONVERSION FORMULAS

Imperial quart = litres x 0.879877

Imperial gallon = litres x 0.219969

## CAPACITIES AND LUBRICANTS

### Engine Oil

Capacity with Filter Change .....	11 litres (11.6 U.S. quarts)
Capacity without Filter Change .....	10 litres (10.6 U.S. quarts)
Type of oil .....	See Engine Oil Recommendations on page 4

### Engine Cooling System

Capacity .....	18.9 litres (20.0 U.S. quarts)
Type of coolant .....	Ethylene Glycol and water mixed for the lowest ambient temperature At least 50% Ethylene Glycol and 50% water.

### Fuel Tank

686G Capacity .....	75.7 litres (20 U.S. gallons)
686GXR and 688G Capacity .....	132.5 litres (35 U.S. gallons)
Type of fuel .....	See diesel fuel specifications on page 5

### Hydraulic System

Hydraulic reservoir refill capacity with filter change .....	151 litres (160 U.S. quarts)
Type of oil .....	Case Hy-Tran Plus® (MS 1207)

### Transmission

Capacity .....	12.9 litres (13.6 U.S. quarts)
Type of oil .....	Case Hy Tran Plus® (MS1207)

### Front Axle

Capacity of center bowl .....	6.6 litres (7 U.S. quarts)
Type of oil .....	Case 135H EP with 0.14 litres (5 oz.) Case limited slip additive
Capacity of planetary (each) .....	0.9 litres (1.0 U.S. quart)
Type of oil .....	Case 135H EP

### Rear Axle

Capacity of center bowl .....	6.6 litres (7 U.S. quarts)
Type of oil .....	Case 135H EP with 0.14 litres (5 oz.) Case limited slip additive
Capacity of planetary (each) .....	0.9 litres (1.0 U.S. quart)
Type of oil .....	Case 135H EP

## ENGINE OIL RECOMMENDATIONS

Case IH No.1 Engine Oil is recommended for use in your Case IH Engine. Case IH No.1 Engine Oil will lubricate your engine correctly under all operating conditions. If Case IH No. 1 Multi-Viscosity Engine Oil is not available, Case IH No. 1 Single Grade Engine Oil can be used.

If Case IH No.1 Multi-Viscosity or Single Grade Engine Oil is not available, use only oil meeting API engine oil service category CE.



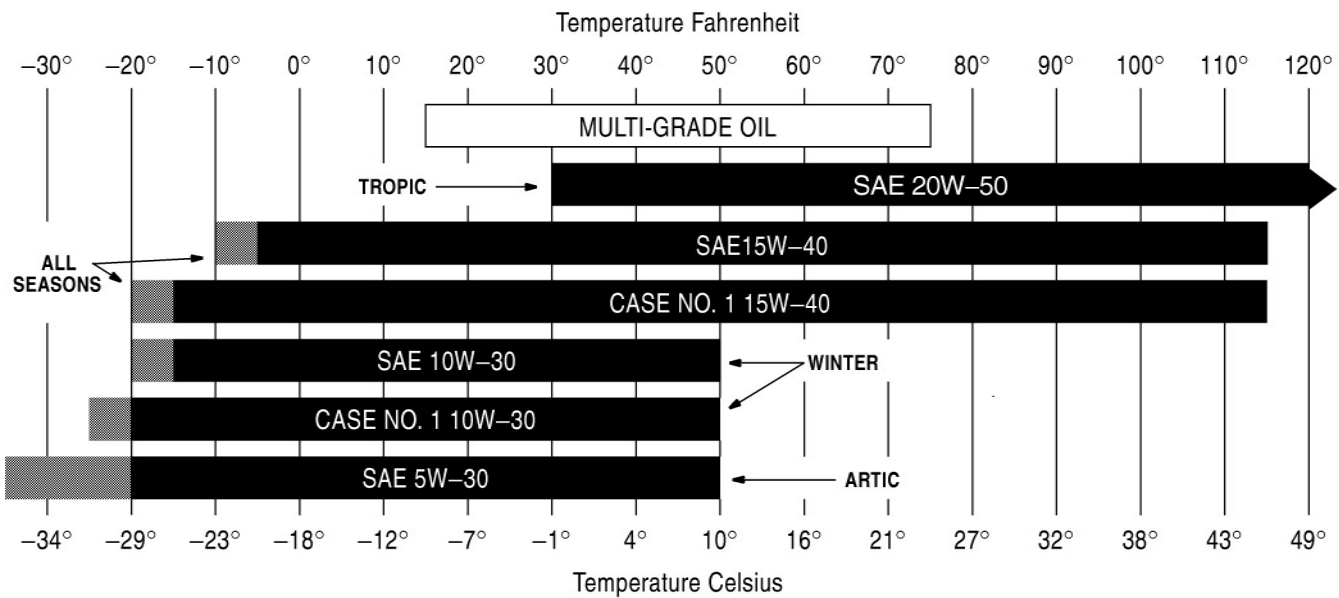
BI96H018



BP97H064

See the chart below for recommended viscosity at ambient air temperature ranges.

**NOTE:** Do not put Performance Additives or other oil additive products in the engine crankcase. The oil intervals given in this manual are according to tests with Case IH lubricants.



■ Indicates use of an engine oil heater or a jacket water heater is required.

## DIESEL FUEL

Use No. 2 diesel fuel in the engine of this machine. The use of other fuels can cause the loss of engine power and high fuel consumption.

In very cold temperatures, a mixture of No. 1 and No. 2 diesel fuels is temporarily permitted. See the following Note.

**NOTE:** See your fuel dealer for winter fuel requirements in your area. If the temperature of the fuel is below the cloud point (wax appearance point), wax crystals in the fuel will cause the engine to lose power or not start.

The diesel fuel used in this machine must meet the specifications in the chart below or Specification D975-81 of the American Society for Testing and Materials.

### Fuel Storage

If you keep fuel in storage for a period of time, you can get foreign material or water in the fuel storage tank. Many engine problems are caused by water in the fuel.

Keep the fuel storage tank outside and keep the fuel as cool as possible. Remove water from the storage container at regular periods of time.

#### Specifications for Acceptable No. 2 Diesel Fuel

API gravity, minimum .....	34
Flash Point, Minimum .....	60°C (140° F)
Cloud point (wax appearance point), maximum .....	-20°C (-5°F) See Note above
Pour point, maximum .....	-26°C (-15°Fx) See Note above
Viscosity, at 38° C (100° F)	
Centistokes .....	2.0 to 4.3
Saybolt Seconds Universal .....	32 to 40
Cetane number, minimum .....	43 (45 to 55 for winter or high altitudes)
Water and sediment, by volume, maximum .....	0.05 of 1%
Sulfur, by weight, maximum .....	0.50 of 1%
Copper strip corrosion, maximum .....	No. 2
Ash, by weight, maximum .....	0.01 of 1%

## NOTES

# Section 1003

## SAFETY AND GENERAL INFORMATION

CASE CORPORATION  
700 State Street  
Racine, WI 53404 U.S.A.

CASE CANADA CORPORATION  
450 Sherman Avenue  
Hamilton, ON L8N 4C4 CANADA

Bur 7-16090

© 1999 Case Corporation  
Printed in U.S.A.  
November, 1999

## TABLE OF CONTENTS

SAFETY INFORMATION .....	3
Understanding Signal Words .....	3
General Safety Guidelines .....	3
INTRODUCTION .....	4
Location of Major Components .....	4

**NOTE:** Case Corporation reserves the right to make improvements in design or changes in specifications at any time without incurring any obligation to install them on units previously sold.

## SAFETY INFORMATION



### SAFETY ALERT SYMBOL

This is the Safety Alert Symbol. When you see this symbol in this manual, be alert to the potential for personal injury.

Follow recommended precautions and safe operating practices.

## Understanding Signal Words

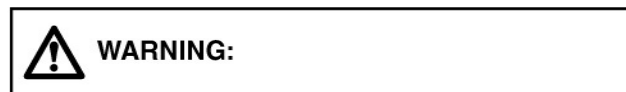
A signal word - WARNING - is used with the safety-alert symbol.

DANGER, WARNING, or CAUTION safety labels are located near specific hazards.

NOTE labels are for general information.

### DANGER

DANGER IS USED TO INDICATE THE PRESENCE OF A HAZARD WHICH WILL CAUSE SEVERE PERSONAL INJURY OR DEATH IF THE WARNING IS IGNORED.



WARNING IS USED TO INDICATE THE PRESENCE OF A HAZARD WHICH CAN CAUSE SEVERE INJURY OR DEATH IF THE WARNING IS IGNORED.

### CAUTION

CAUTION IS USED TO INDICATE THE PRESENCE OF A HAZARD WHICH WILL OR CAN CAUSE PERSONAL INJURY, OR PROPERTY DAMAGE IF THE WARNING IS IGNORED.

### NOTE

NOTE is used to notify people of installation, operation, or maintenance information which is important but not hazard related.

## General Safety Guidelines

Accidents are caused by failure to follow simple, fundamental safety rules and precautions. Most accidents can be avoided by paying attention, using common sense, and following instructions.

**WARNING:** *Improper maintenance can be hazardous.*



*Read and understand SECTION 1 - SAFETY AND GENERAL INFORMATION before performing any maintenance, service, or repairs.*

M622

Study the operator's manual and service manual before starting, operating, maintaining, fueling, or servicing the 686G, 686G XR, and 688G Series 2 Telescopic Handlers.

Keep hands and fingers from between small parts. Wear protective gear such as safety glasses, heavy gloves, and safety shoes.

No unauthorized person should be allowed to operate, service, or maintain this telescopic handler. Do not perform any work on the equipment that is unauthorized.

Read and understand all unit mounted safety labels before starting, operating, maintaining, fueling, or servicing this unit.

**WARNING:** *Unexpected machine motion or moving parts can cut or crush.*



*Shutdown the engine before working on the machine.*

M621

Always make sure that the parking brake is set and the engine is shut down before starting any maintenance or service procedures.

Disconnect the negative battery terminal and tag all controls according to OSHA requirements to warn that work is in progress.

Always wear proper safety equipment as required for the job. Consult your supervisor for specific job related safety equipment requirements.

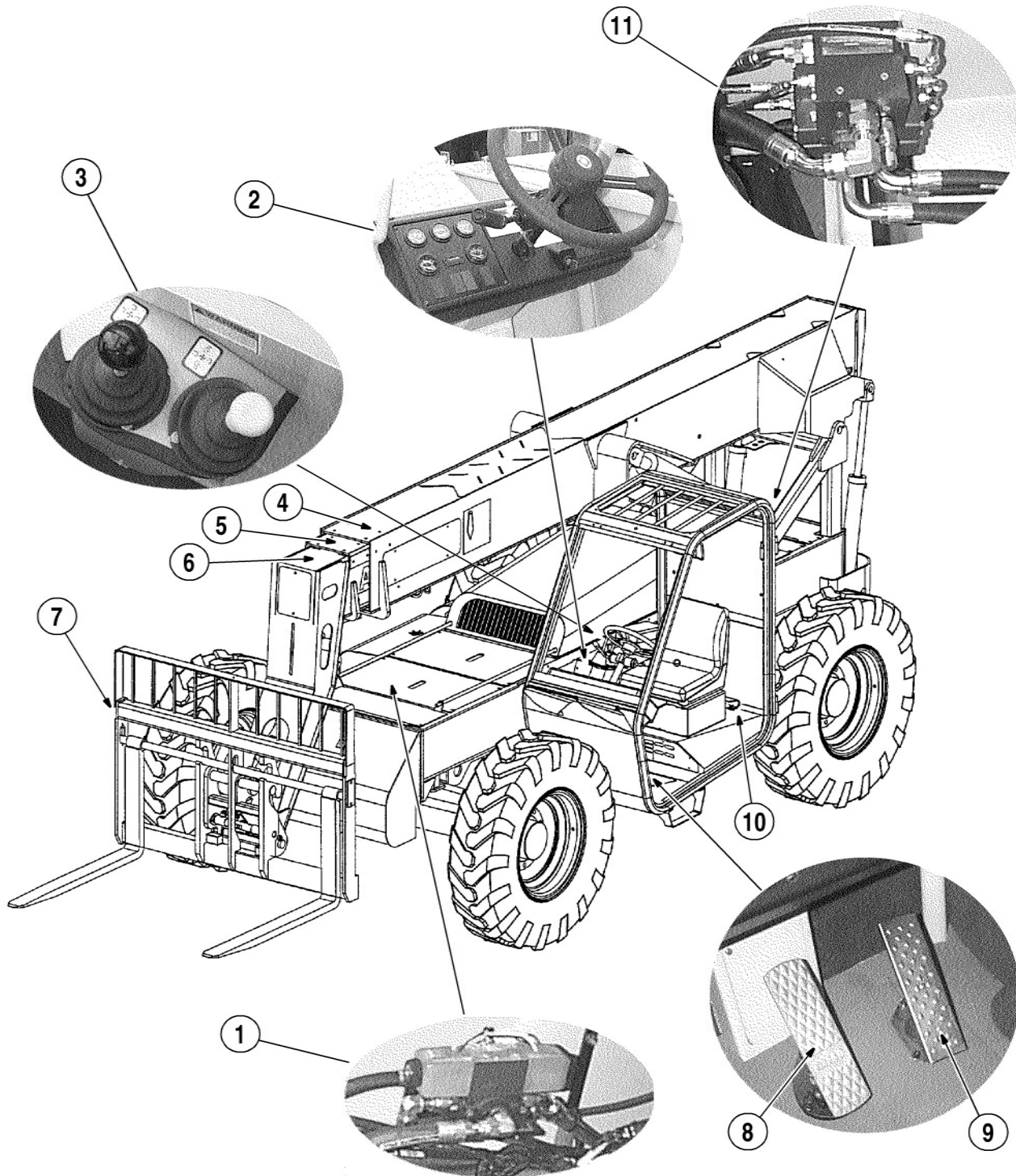
Do not wear rings, watches, jewelry, or loose or hanging apparel, such as ties, torn clothing, scarves, unbuttoned or unzipped jackets, or anything else that could possibly get caught up in moving parts. Long hair must be tied back or otherwise secured.

Keep the maintenance area clean and dry. Remove water or oil slicks immediately.

Be sure all mechanics tools are in good condition. Do not use tools that are extremely worn out, rounded out, mushroomed, or loose. Always wear safety glasses with side shields.

# INTRODUCTION

## Location of Major Components

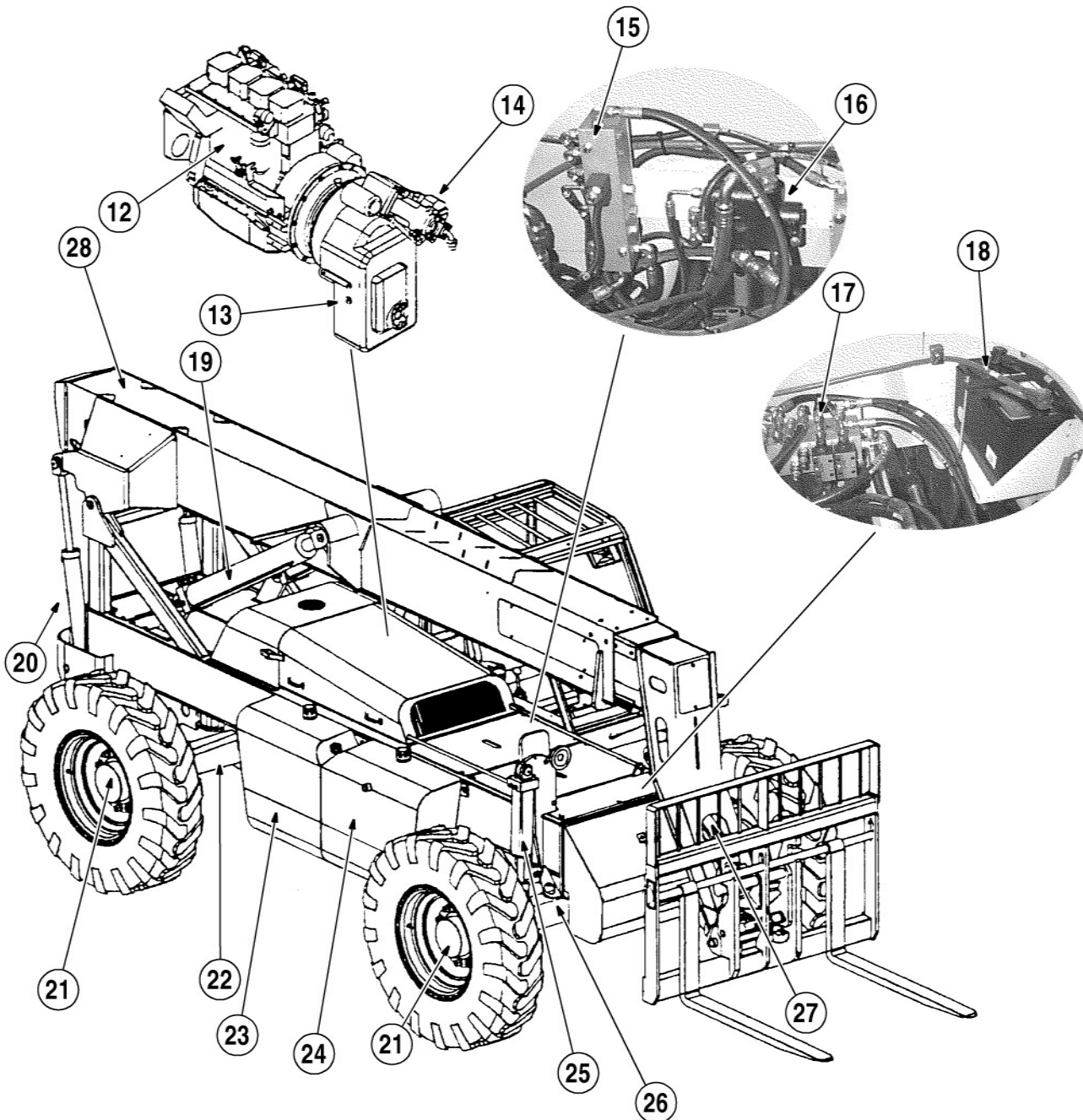


- 1. STEERING MODE SELECTOR
- 2. CONTROL PANEL AND STEERING WHEEL
- 3. JOYSTICK CONTROLS
- 4. OUTER BOOM
- 5. INTERMEDIATE BOOM
- 6. INNER BOOM

- 7. CARRIAGE
- 8. BRAKE PEDAL
- 9. ACCELERATOR PEDAL
- 10. BOOM STOP
- 11. BOOM CONTROL VALVE

BS98N065

**Major Components (Illustration 1 of 2)**



BS99A105

- |                                     |   |
|-------------------------------------|---|
| 12. ENGINE                          | 21. PLANETARY WHEEL END (BOTH SIDES)              |
| 13. TRANSMISSION                    | 22. REAR AXLE                                     |
| 14. HYDRAULIC PUMP                  | 23. FUEL TANK                                     |
| 15. HYDRAULIC DRAIN MANIFOLD        | 24. HYDRAULIC TANK                                |
| 16. PRIORITY VALVE                  | 25. FRAME LEVEL CYLINDER                          |
| 17. FRAME LEVEL/FORK TILT MANIFOLD  | 26. FRONT AXLE                                    |
| 18. BATTERY                         | 27. CARRIAGE TILT CYLINDER                        |
| 19. BOOM LIFT CYLINDER (BOTH SIDES) | 28. CROWD CYLINDER - LOCATED INSIDE BOOM ASSEMBLY |
| 20. TILT COMPENSATION CYLINDER      |   |

### Major Components (Illustration 2 of 2)

## NOTES

# LOCTITE PRODUCT CHART

Product	Color	Similar Products	Gap (In Inches)	Strength (Steel/Steel)	Working Temperature Range-Fahrenheit	Fixture/Full Cure (Steel/Steel) Time	Primer	Description
#3	Dark Brown					24 hr	N/A	Form a Gasket (works with oil, fuel or grease) Pliable
80	Yellow					Fast	N/A	Weatherstrip Adhesive
123	Clear					N/A	N/A	Parts Cleaner Fluid
220	Blue	290	0.003	57/143 in lbs	-65 to +250	6 min/24 hrs	747	Wicking Threadlocker
221	Purple	222	0.005	75/44 in lbs	-65 to +300	2 min/24 hrs	747	Low Strength Threadlocker
222	Purple		0.005	53/30 in lbs	-65 to +300	20 min/24 hrs	764	Low Strength Threadlocker (Small Screws)
225	Brown	222	0.010	45/25 in lbs	-65 to +300	7 min/24 hrs	747	Low Strength Threadlocker
242	Blue		0.005	80/50 in lbs	-65 to +300	10 min/24 hrs	764	Medium Strength Threadlocker
262	Red	271	0.005	160/190 in lbs	-65 to +300	5 min/24 hrs	747	High Strength Threadlocker
270	Green	271	0.007	160/320 in lbs	-65 to +300	3 min/24 hrs	747	High Strength Threadlocker
271	Red	262	0.007	160/320 in lbs	-65 to +300	10 min/24 hrs	764	High Strength Threadlocker
272	Red	620	0.007	180/220 in lbs	-65 to +450	30 min/24 hrs	764	High Temperature, High Strength
275	Green	277	0.010	210/300 in lbs	-65 to +300	3 min/24 hrs	747	High Strength Threadlocker
277	Red		0.010	225/300 in lbs	-65 to +300	60 min/24 hrs	764	High Strength Threadlocker
290	Green		0.003	85/350 in lbs	-65 to +300	6 min/24 hrs	764	Wicking Threadlocker
*404	Clear	495	0.006	3200 psi	-65 to +180	30 sec/24 hrs	NA	Instant Adhesive
*406	Clear		0.004	3200 psi	-65 to +180	15 sec/24 hrs	N/A	Surface Insensitive Adhesive
*409	Clear	454	0.008	2500 psi	-65 to +180	50 sec/24 hrs	N/A	Gel Instant Adhesive
*414	Clear		0.006	2500 psi	-65 to +180	30 sec/24 hr	N/A	Instant Adhesive
*415	Clear	454	0.010	2500 psi	-65 to +180	50 sec/24 hrs	N/A	Gap Filling Instant Adhesive (Metals)
*416	Clear	454	0.010	2500 psi	-65 to +180	50 sec/24 hrs	N/A	Gap Filling Instant Adhesive (Plastics)
*420	Clear		0.002	2500 psi	-65 to +180	15 sec/24 hrs	N/A	Wicking Instant Adhesive
*422	Clear	454	0.020	2800 psi	-65 to +180	60 sec/24 hrs	N/A	Gap Filling Instant Adhesive
*430	Clear		0.005	2500 psi	-65 to +180	20 sec/24 hrs	N/A	Metal Bonding Adhesive
*445	White/Black		0.250	2000 psi	-65 to +180	5 min/24 hrs	N/A	Fast Setting 2 Part Epoxy
*454	Clear		0.010	3200 psi	-65 to +180	15 sec/24 hrs	N/A	Surface Insensitive Gen Instant Adhesive
*495	Clear		0.004	2500 psi	-65 to +180	20 sec/24 hrs	N/A	General Purpose Instant Adhesive
*496	Clear		0.005	2500 psi	-65 to +180	20 sec/24 hrs	N/A	Metal Bonding Adhesive
504	Brt Orange	515	0.030	750 psi	-65 to +300	90 min/24 hrs	None	Rigid Gasket Eliminator
509	Light Blue		0.020	750 psi	-65 to +320	6 hr/72 hrs	764	Flange Sealant
510	Red		0.020	1000 psi	-65 to +400	30 min/24 hrs	764	High Temperature, Gasket Eliminator
515	Purple		0.010	750 psi	-65 to +300	1 hr/24 hrs	764	Gasket Eliminator 515

Rac 8-98902 \* Products 404-496 (except for #445) are all instant adhesives (super glues) they differ mostly in viscosity

Printed in U.S.A.

# LOCTITE PRODUCT CHART

Product	Color	Similar Products	Gap (In Inches)	Strength (Steel/Steel)	Working Temperature Range-Fahrenheit	Fixture/Full Cure (Steel/Steel) Time	Primer	Description
518	Red	515	0.030	500psi	-65 to +300	1 hr/24 hrs	764	Gasket Eliminator 518 for Aluminum
542	Brown	569	N/A	132/92 in lbs	-65 to +300	2 hr/24 hrs	747	Hydraulic Sealant
545	Purple		N/A	25/20 in lbs	-65 to +300	4 hr/24 hrs	747	Low Strength Pneumatic/Hydraulic Sealant
549	Orange	504	0.020	2500 psi	-65 to +300	2 hr/24 hrs	747	Instant Seal Plastic Gasket
554	Red	277	0.015	240/240 in lbs	-65 to +300	2 to 4 hrs/24 hrs	764	Refrigerant Sealant
567	White	592	N/A	500 psi	-65 to +400	4 hrs/24 hrs	764	Pipe Sealant for Stainless Steel
568	Orange	277	0.015	2500 psi	-65 to +300	12 hrs/24 hrs	764	Plastic Gasket
569	Brown	545	0.010	40/25 in lbs	-65 to +300	1 hr/24 hrs	764	Hydraulic Sealant
570	Brown	592	N/A	25/40 in lbs	-65 to +300	6 hrs/72 hrs	764	Steam Sealant
571	Brown	592	0.015	40/20 in lbs	-65 to +300	2 to 4 hrs/24 hrs	764	Pipe Sealant
572	White	578.575	N/A	80/27 in lbs	-65 to +300	24 hrs/72 hrs	None	Gasketing
592	White		0.020	500 psi	-65 to +400	4 hrs/72 hrs	736	Pipe Sealant with Teflon
593	Black		0.250	400 psi	-95 to +400	30 min/24 hrs	N/A	RTV Silicone
601	Green	609	0.005	3000 psi	-65 to +300	10 min/24 hrs	764	Current PIN #609
609	Green		0.005	3000 psi	-65 to +300	10 min/24 hrs	764	General Purpose Retaining Compound
620	Green	640	0.015	3000 psi	-65 to +450	30 min/24 hrs	747	High Temperature Retaining Compound
635	Green	680	0.010	4000 psi	-65 to +300	1 hr/24 hrs	747	High Strength Retaining Compound
638	Green	680	0.015	4100 psi	-65 to +300	10 min/24 hrs	747	High Strength Retaining Compound
640	Green	620	0.007	3000 psi	-65 to +400	1 hr/24 hrs	747	High Temperature Retaining Compound
660	Silver		0.020	3000 psi	-65 to +300	20 min/24 hrs	764	Quick Metal
675	Green	609	0.005	3000 psi	-65 to +300	20 min/24 hrs	747	General Purpose Retaining Compound
680	Green	635	0.015	4000 psi	-65 to +300	10 min/24 hrs	747	High Strength Retaining Compound
706	Clear	755	N/A	N/A	N/A	N/A	N/A	Cleaning Solvent
707	Amber		N/A	N/A	N/A	N/A	N/A	Activator for Structural Adhesives
736	Amber		N/A	N/A	N/A	N/A	N/A	Primer NF
738	Amber		N/A	N/A	N/A	N/A	N/A	Depend Activator
747	Yellow	N/A	N/A	N/A	N/A	N/A	N/A	Primer T
751	Clear		N/A	N/A	N/A	N/A	N/A	Activator for Structural Adhesives
755	Clear		N/A	N/A	N/A	N/A	N/A	Cleaning Solvent
764	Green		N/A	N/A	N/A	N/A	N/A	Primer N
767	Silver		N/A	N/A	-65 to +1600	N/A	N/A	Anti-Seize Lubricant

# SECTION INDEX - ENGINE

## Section Title

## Section Number

Diesel Engine Specifications .....	2000
Engine and Transmission Removal and Installation.....	2001
Engine Troubleshooting .....	2002

**CASE CORPORATION**  
700 State Street  
Racine, WI 53404 U.S.A.

**CASE CANADA CORPORATION**  
3350 SOUTH SERVICE ROAD  
BURLINGTON, ON L7N 3M6 CANADA

Bur 7-90140

© 1999 Case Corporation  
Printed in U.S.A.  
November, 1999

THANK YOU FOR VISITE WITH

[www.repair-manuals.com](http://www.repair-manuals.com)

**DOWNLOAD THIS FULL MANUAL**

**Until download and place it on your computer We care with you ,We really try our best to complete your orders, so your review is very important to us to improve our services**

WE OFFER

ORIGINAL FACTORY MANUALS , WORKSHOP  
MANUALS , SERVICE MANUALS , REPAIR

OUR VISION : 100 % CUSTOMER SATISFACTION,  
AFTER SALE SERVICE AND KEEP IN TOUCH WITH