

# CA510PD

---

## Spare parts list

### Vibratory Roller

CA510PD s/n 10000128x0C003788 -

Engine: Cummins 6BTAA-5.9



## General information

Use only authorized parts. Any damage or malfunction caused by the use of unauthorized parts is not covered by Warranty or Product Liability.

Any unauthorized use or copying of the contents or any part thereof is prohibited. This applies in particular to trademarks, model denominations, part numbers, and drawings.

### **Instructions for use**

This spare parts list contains no safety regulations and is merely intended to assist in the ordering of spare parts.

For information about operating, servicing, or repairing, the relevant Safety and operating instructions must be consulted at all costs.

Please observe the safety instructions listed in the relevant Safety and operating instructions!

Contents

**CA510PD (II/T2) SN 10000128x0C003788 -**

CA510PD (II/T2) SN 10000128x 0C003788 - ..... 1

**Service, repair and wear part kits**

4700945652 Service kit 50 h ..... 3  
4812157268 Service kit 250/750 h ..... 5  
4812157269 Service kit 500h ..... 7  
4812157270 Service kit 1000h ..... 9  
4700938562 Steering hitch kit ..... 11  
4700945657-A Eccentric shaft kit ..... 13  
4700938891 Drum rotation kit ..... 15  
4700938883 Shock absorber kit, drum ..... 17  
4700940662 F/R control button kit ..... 19

**Mechanical**

Frames ..... 21  
Scrapers ..... 23  
Hitch ..... 25

**Structure To 0C003980**

Structure ..... 27

**Structure From 0C003981**

Structure ..... 32

**Operator platform**

Drivers platform ..... 37  
Control panel ..... 40  
Throttle control ..... 43  
Forward and reverse control ..... 45  
Steering column ..... 47  
Canopy Option ..... 49  
Rops and fops ..... 51  
Cab mounting ..... 53

**4700378308 Cab**

Cab Screens ..... 56  
Cab Door, left side ..... 62  
Cab Interior rear mirror ..... 67  
Cab Exterior, rear mirror ..... 69  
Wiper arm with blade, front ..... 71  
Cab Work light ..... 73  
Cab Electric ..... 75

**Engine**

Engine Cummins 6BTAA-5.9 ..... 77  
Cooling system ..... 81  
Combustion air system ..... 86  
Fuel system ..... 89

**Radiator To 0C000187**

Radiator ..... 92

**Exhaust system To 0C000365**

Exhaust system ..... 95

**Exhaust system From 0C000366**

Exhaust system ..... 97

**Drive**

**Drum**

Drum, PD	99
Drum cartridge Vibration side	101
Drum cartridge Drive side	105
Drum gear	107
<b>Transmission</b>	
Rear axle and wheels	111
<b>4700385100 Rear axle Limited slip</b>	
4700385100 Rear axle Limited slip	113
Differential with limited slip	115
Differential housing and brakes	119
Planet gear	121
<b>4700383856 Rear axle No-Spin, Option</b>	
4700383856 Rear axle No-Spin, Option	123
Differential with no-spin	125
Differential housing and brakes	127
Planet gear	129
<b>Hydraulic system</b>	
Propulsion system, Front	131
Propulsion system, Rear	133
4700380830 Propulsion pump	138
4700373361 Propulsion motor	147
Vibration system	151
Steering system	155
4700392027 Steering cylinder	159
4700376000 Steering valve	161
Brake system	163
<b>4700389564 Hydraulic motor</b>	
4700389564 Hydraulic motor	165
End cap	167
Central test panel hydraulic Option	169
Hydraulic oil tank	171
<b>4700393695 Vibration pump To ECN 11301</b>	
4700393695 Vibration pump	173
Rotating group, cpl	177
4700936609 Valve block, cpl	179
4700380146 Hydraulic motor, vibration	182
<b>Electric system</b>	
Electric system	186
Control panel	191
Working lights Option	195
Rotating beacon Option	197
<b>Options / Accessories</b>	
Decals	199
Decals	201
Decals	203
Tool equipment	205
Fire extinguisher	207
Wheel with all-weather prooftyre Liquid filled	209
Wheel with all-weather prooftyre	211
Heater Simple cab	213
4700379394 Heater box	215
<b>Air conditioner assembly</b>	
Air conditioner mount	217
Compressor cpl	221
Condensor	223

Receiver driver .....	225
Evaporimeter .....	227
Appendix B:Parts Index .....	229

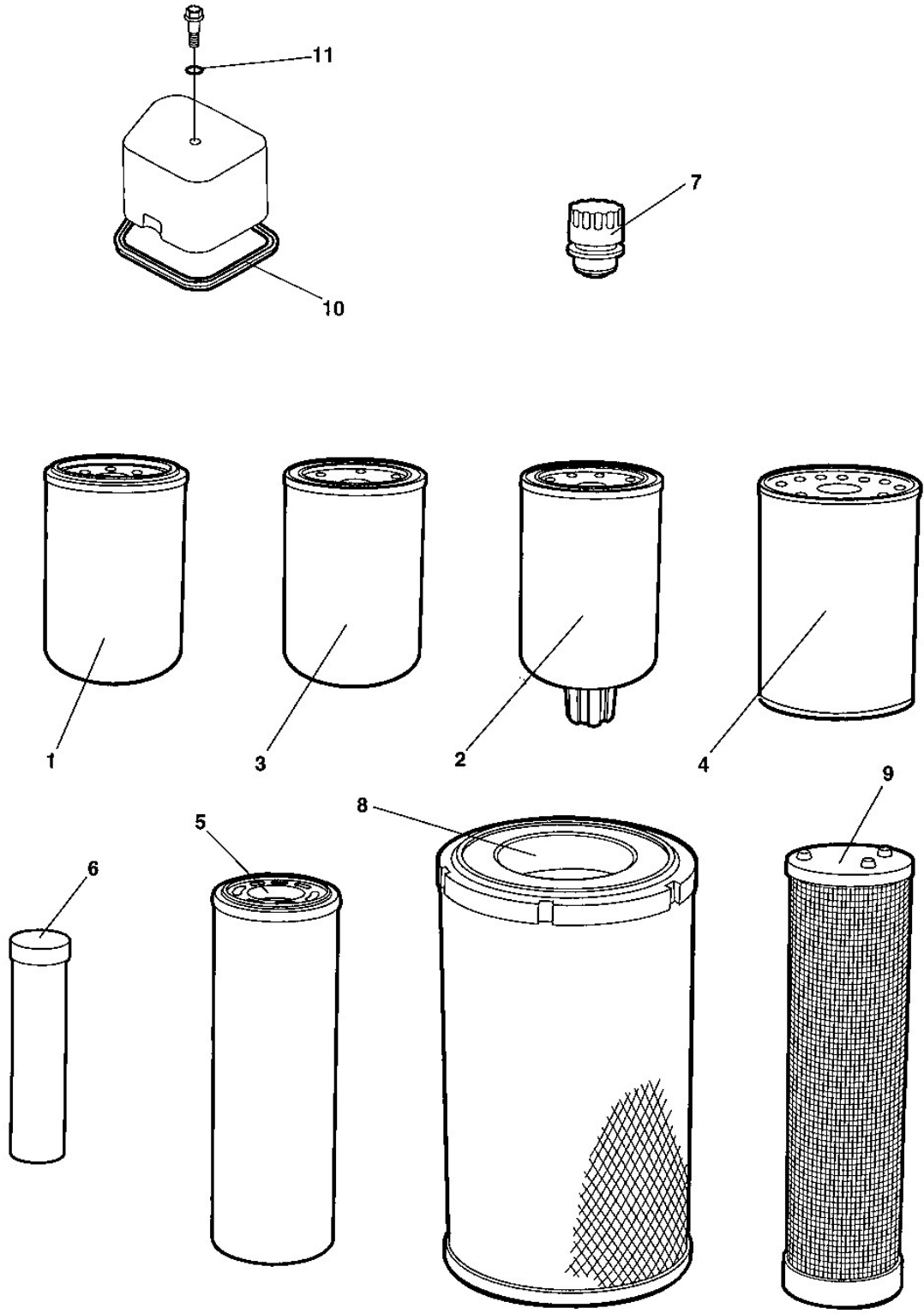


CA510PD (II/T2) SN 10000128x0C003788 - CA510PD (II/T2) SN 10000128x 0C003788 -



Item	Part No.	Name	Qty	L	SN INFO
1		Service, repair and wear part kits	1		
2		Mechanical	1		
3		Operator platform	1		
4		Engine	1		
5		Drive	1		
6		Electric system	1		
7		Electric system	1		
8		Option / assessories	1		

Service, repair and wear part kits 4700945652 Service kit 50 h

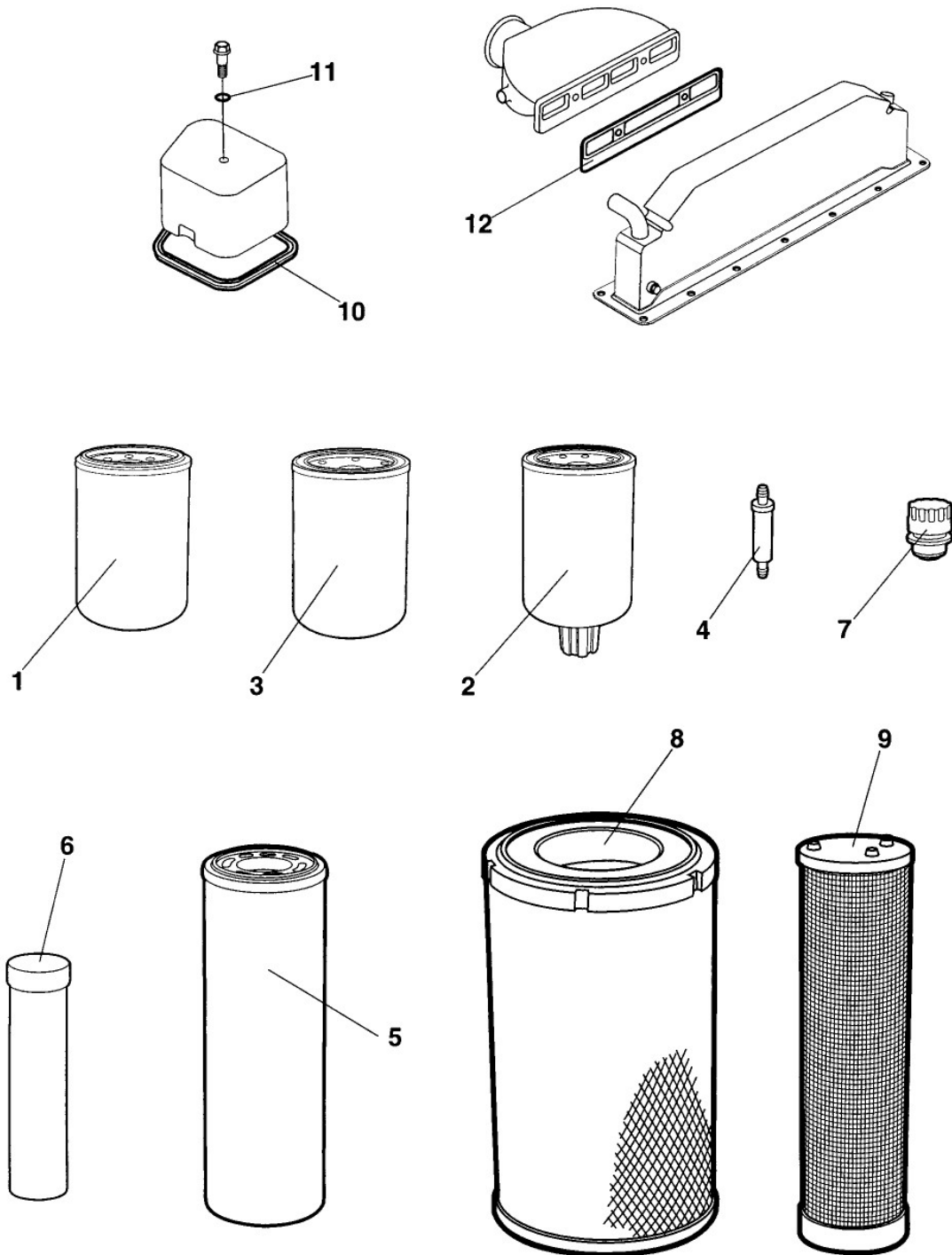


Refer to Parts Online for the most up to date information. The printed information might be outdated.

Thu Aug 20 23:46:36 MDT 2015

Item	Part No.	Name	Qty	L	SN INFO
0	4700945652	Service kit 50 h			
1	4700939503	Oil filter	1		
2	4700939372	Fuel filter element	1		
4	4700939404	Pre-fuel filter element	1		
5	4700372229	Hydraulic oil filter element	1		

Service, repair and wear part kits 4812157268 Service kit 250/750 h

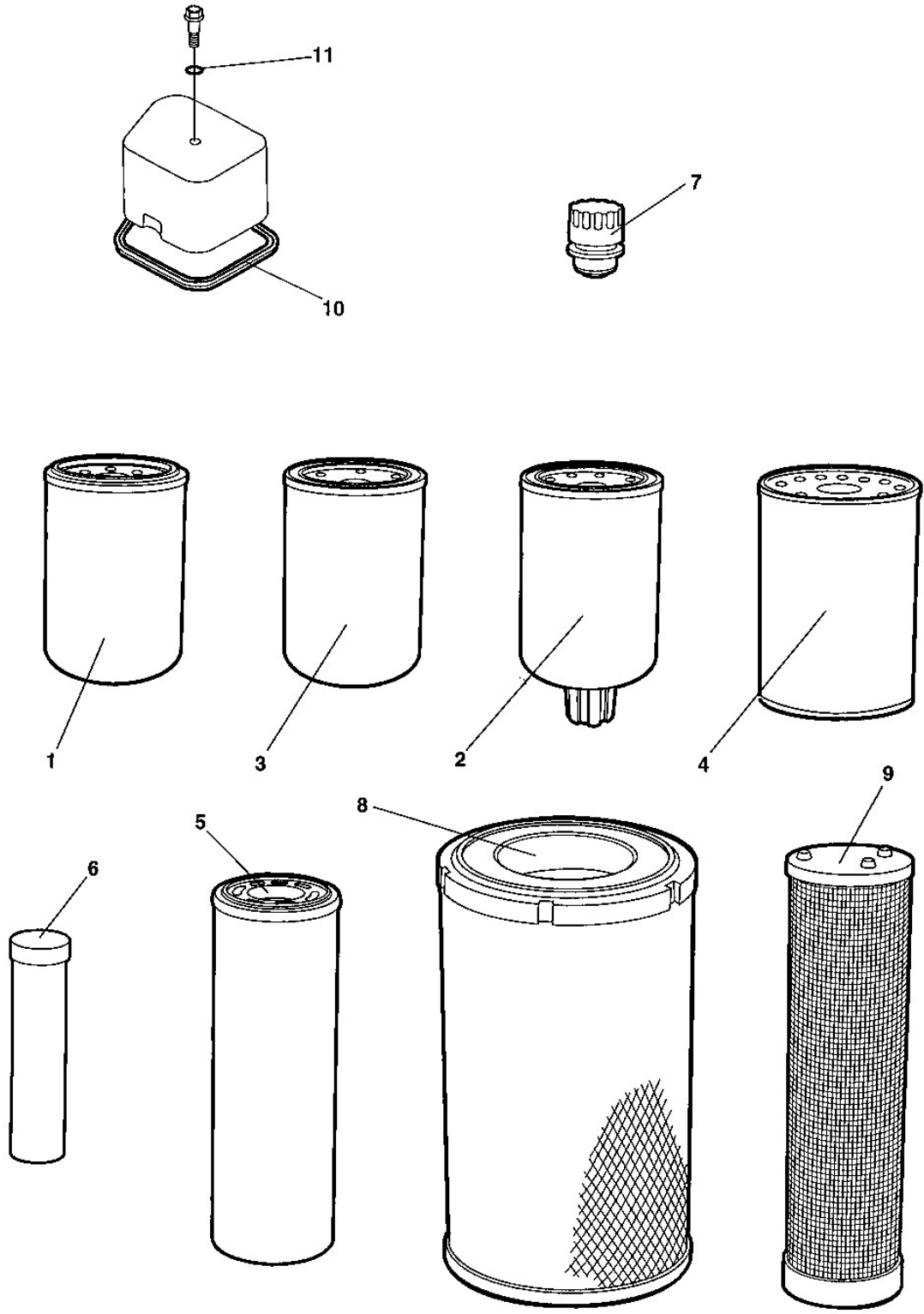


Refer to Parts Online for the most up to date information. The printed information might be outdated.

Thu Aug 20 23:46:36 MDT 2015

Item	Part No.	Name	Qty	L	SN INFO
0	4812157268	Service kit 250/750 h			
1	4700939503	Oil filter	1		

Service, repair and wear part kits 4812157269 Service kit 500h



Refer to Parts Online for the most up to date information. The printed information might be outdated.

Thu Aug 20 23:46:36 MDT 2015

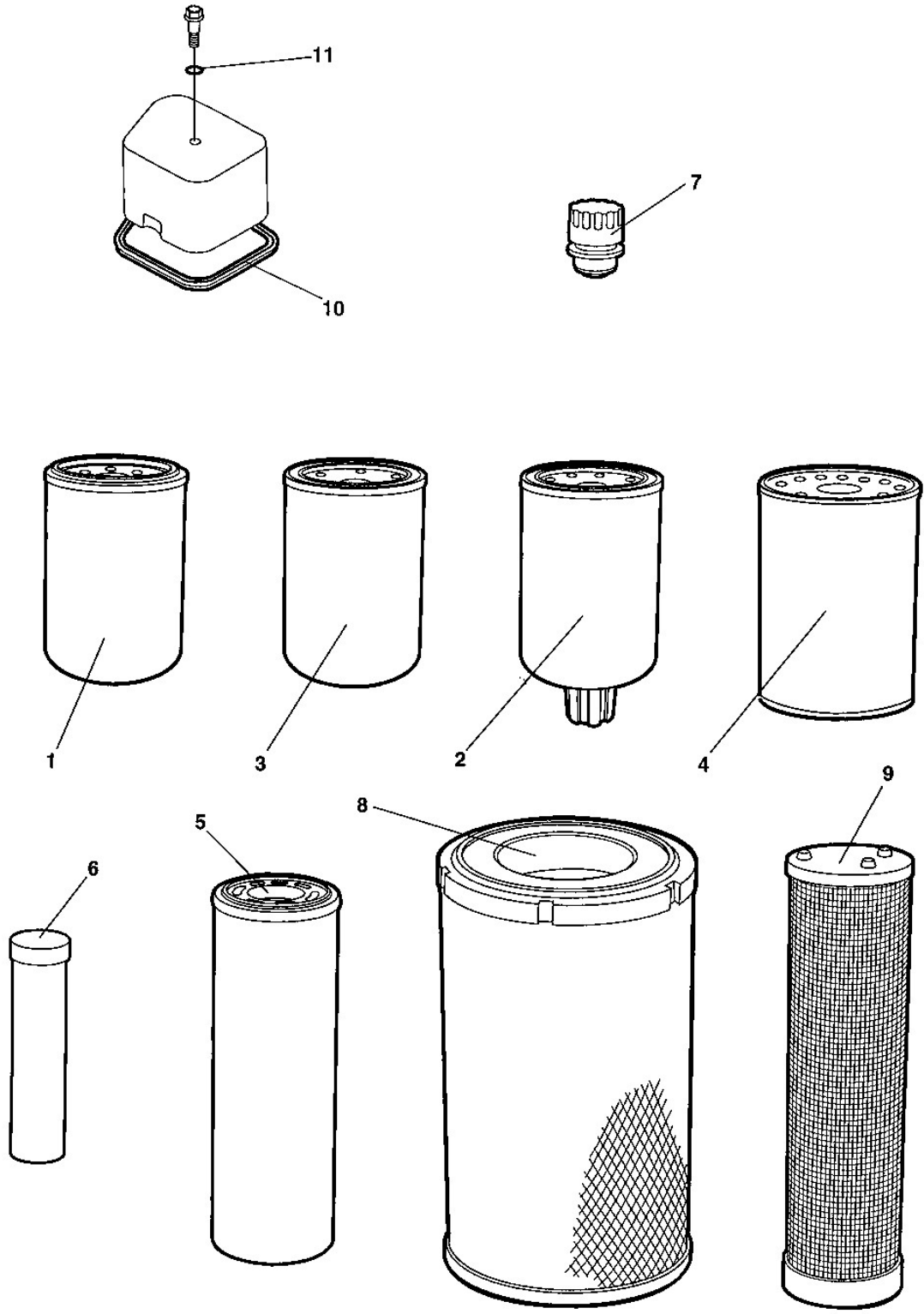
Item	Part No.	Name	Qty	L	SN INFO
0	4812157269	Service kit 500h			
1	4700939503	Oil filter	1		
3	4700939372	Fuel filter element	1	1	
4	4700939404	Pre-fuel filter element	1		
8	4700394690	Air filter element, main	1		

Comments for Page: 4812157269 Service kit 500h

(L)OCAL REMARKS

1 | en\_US | With water separator.

Service, repair and wear part kits 4812157270 Service kit 1000h



Item	Part No.	Name	Qty	L	SN INFO
0	4812157270	Service kit 1000h			
1	4700939503	Oil filter	1		
3	4700939372	Fuel filter element	1	1	
4	4700939404	Pre-fuel filter element	1	2	
5	4700372229	Hydraulic oil filter element	1		
7	4700357138	Ventilating filter	1		
8	4700394690	Air filter element, main	1		
9	4700394691	Air filter element, safety	1		
10	4700938514	Valve cover gasket	6		
11	4700938516	Gasket	6		

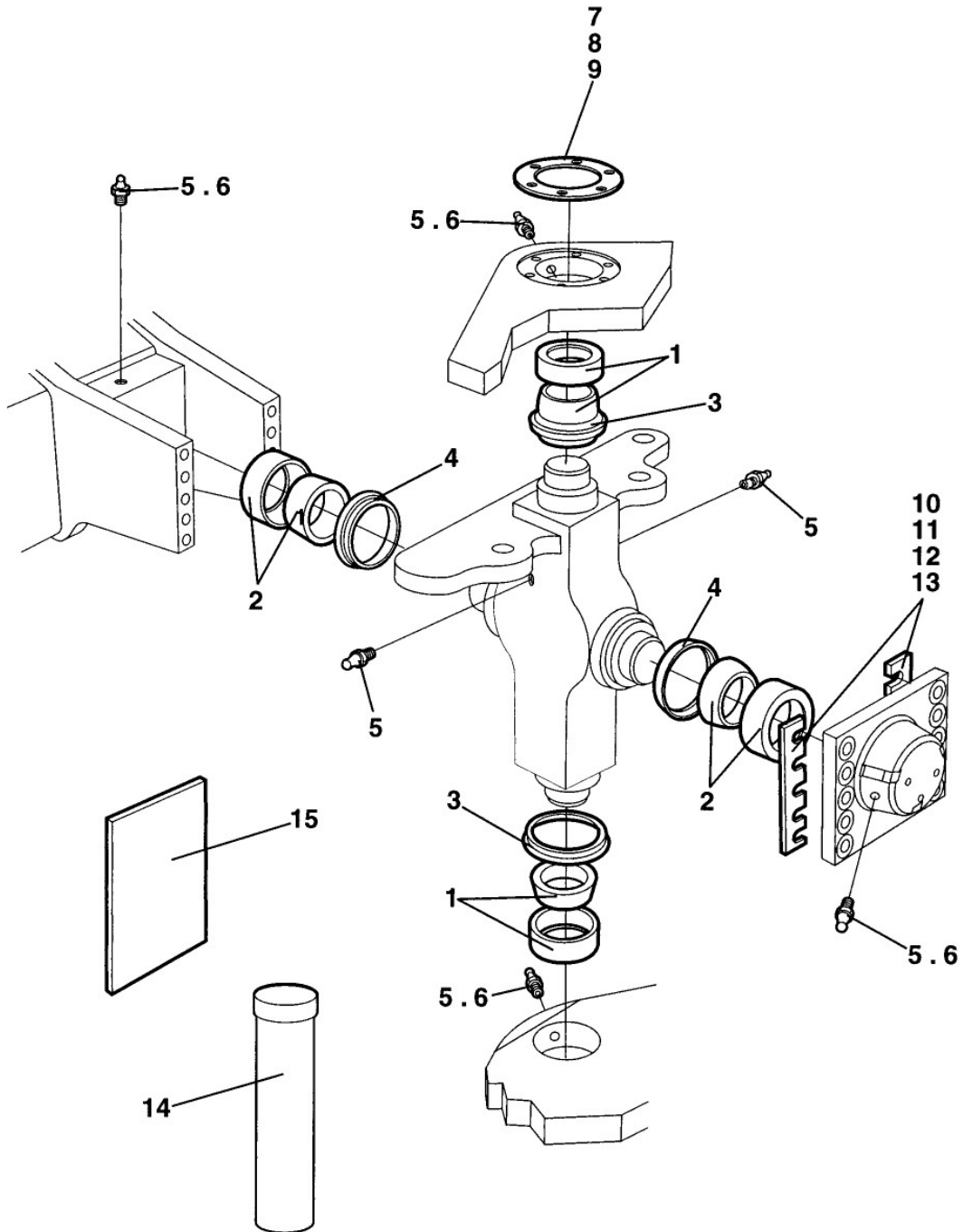
Comments for Page: 4812157270 Service kit 1000h

(L)OCAL REMARKS

1 | en\_US | With water separator.

2 | en\_US | Pre-Fuel filter.

Service, repair and wear part kits 4700938562 Steering hitch kit



Refer to Parts Online for the most up to date information. The printed information might be outdated.

Thu Aug 20 23:46:38 MDT 2015

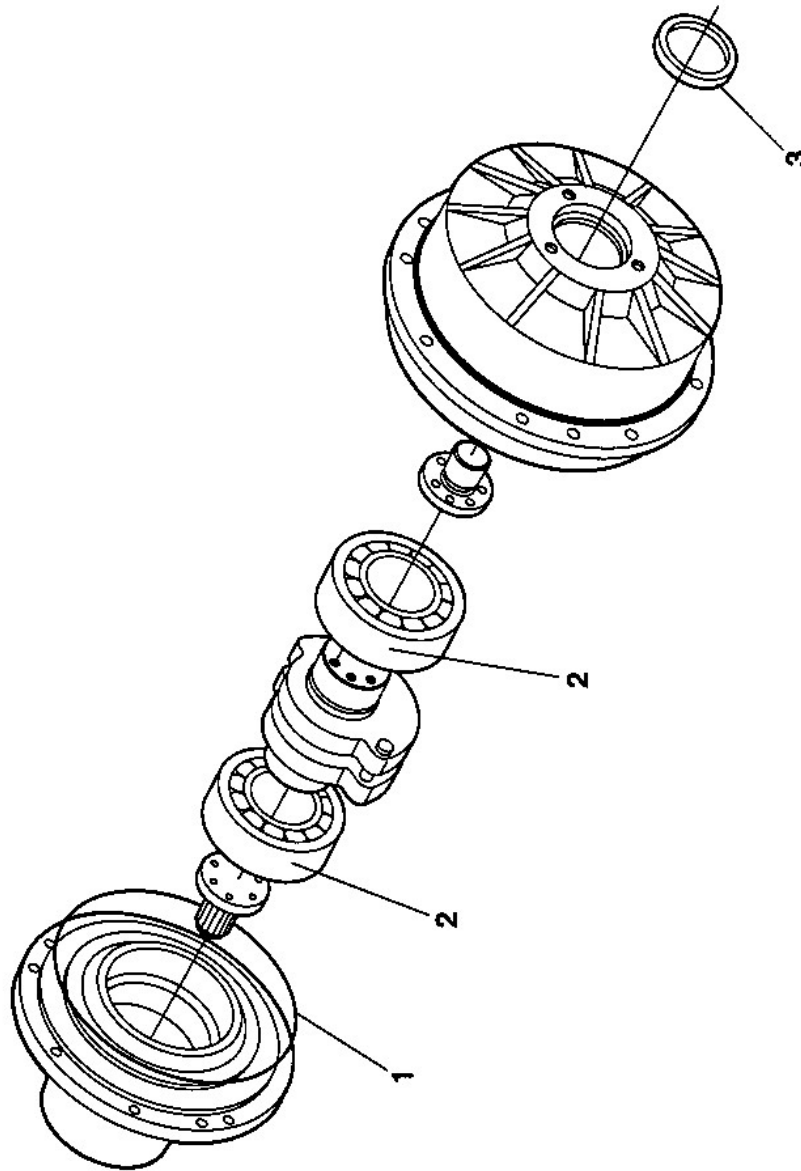
Item	Part No.	Name	Qty	L	SN INFO
0	4700938562	Steering hitch kit			
1	4700100040	Contact spher. Plain bearing	2		
2	4700924620	Axial ball bearing	2		
3	4700167032	Sealing, V-ring	2		
4	4700167033	Ring	2		
5	4700310008	Grease nipple	3	A	
6	4700926214	Grease fitting	2		
7	4700337045	Shim	2		
8	4700345874	Shim T=0,35 mm	2		
9	4700345875	Shim	2		
10	4700337221	Shim T=1,0 mm	2		
11	D433722101	Shim T=0,35 mm	2		
12	D433722102	Shim T=0,10 mm	2		
13	4700384503	Shim T=0,15 mm	2		
14	4700904663	Lube grease " DYNAPAC special approved "	1		
15	-	Instructions	1		

Comments for Page: 4700938562 Steering hitch kit

(L)OCAL REMARKS

A | en\_US | Valid for CC501/CC722 only.

**Service, repair and wear part kits** 4700945657-A Eccentric shaft kit



Item	Part No.	Name	Qty	L	SN INFO
0	4700945657	Eccentric shaft kit			
1	4700900776	O-ring	1		
2	4700390896	Spherical roller bearing	2		
3	4700900782	Seal ring	1		

THANK YOU FOR VISITE WITH

[www.repair-manuals.com](http://www.repair-manuals.com)

**DOWNLOAD THIS FULL MANUAL**

**Until download and place it on your computer We care with you ,We really try our best to complete your orders, so your review is very important to us to improve our services**

WE OFFER

ORIGINAL FACTORY MANUALS , WORKSHOP  
MANUALS , SERVICE MANUALS , REPAIR

OUR VISION : 100 % CUSTOMER SATISFACTION,  
AFTER SALE SERVICE AND KEEP IN TOUCH WITH