

# **BOMAG**

---

## **FAYAT GROUP**

### **Operating instructions Maintenance instructions**

*Original operating instructions*

---

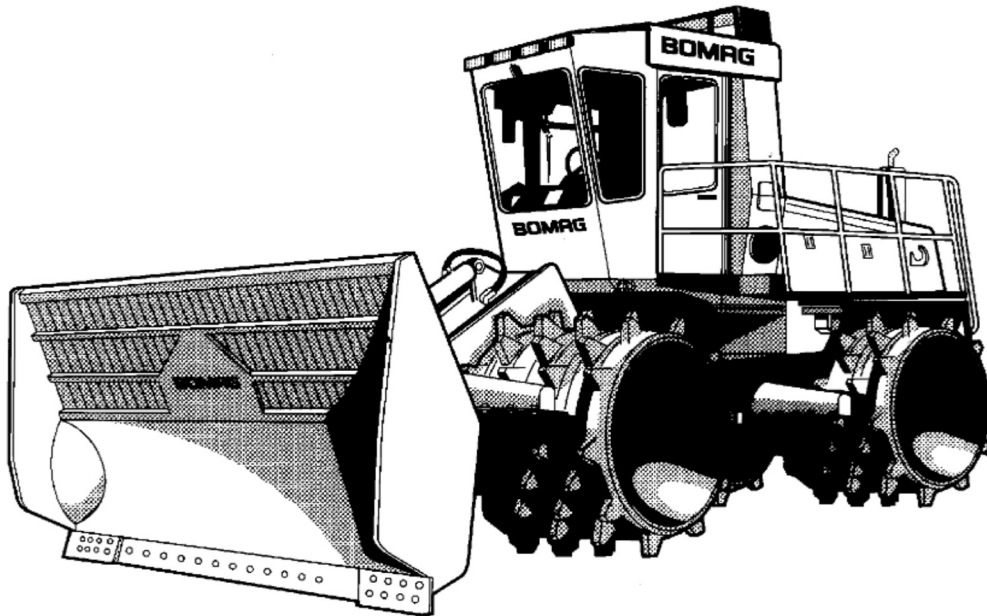
### **BC 672 RB-2**

---

### **BC 772 RB-2 / BC 772 RS-2**

---

S/N 101 570 59 1036> S/N 101 570 44 .... S/N 101 570 49 ....  
S/N 101 570 58 1130> S/N 101 570 43 .... S/N 101 570 48 .... / S/N 101 570 57 1029> S/N 101 570 51 ....



---

### **Sanitary landfill compactor**

---

If the machine is equipped with a battery :

**CALIFORNIA**

Proposition 65 Warning

Battery posts, terminals and related accessories contain lead and lead compounds, chemicals known to the State of California to cause cancer and birth defects or other reproductive harm.

**Wash hands after handling.**

If the machine is equipped with a diesel engine :

**CALIFORNIA**

Proposition 65 Warning

The engine exhaust and some of its constituents are known to the state of California to cause cancer, birth defects, and other reproductive harm.

**These BOMAG machines are products from the wide product range of BOMAG machines for earth and asphalt construction, refuse compaction and stabilizing/recycling.**

**BOMAG's vast experience in connection with state-of-the-art production and testing methods, such as lifetime tests of all important components and highest quality demands guarantee maximum reliability of your machine.**

This manual comprises:

- Safety regulations
- Operating instructions
- Maintenance instructions
- Trouble shooting

Using these instructions will

- help you to become familiar with the machine.
- avoid malfunctions caused by unprofessional operation.

Compliance with the maintenance instructions will

- enhance the reliability of the machine on construction sites,
- prolong the lifetime of the machine,
- reduce repair costs and downtimes.

BOMAG will not assume liability for the function of the machine

- if it is handled in a way not complying with the usual modes of use,
- if it is used for purposes other than those mentioned in these instructions.

No warranty claims can be lodged in case of damage resulting from

- operating errors,
- insufficient maintenance and
- wrong fuels and lubricants.

### **Please note!**

This manual was written for operators and maintenance personnel on landfill sites.

Always keep this manual close at hand, e.g. in the tool compartment of the machine or in a specially

provided container. These operating and maintenance instructions are part of the machine.

You should only operate the machine after you have been instructed and in compliance with these instructions.

Strictly observe the safety regulations.

Please observe also the guidelines of the Civil Engineering Liability Association "Safety Rules for the Operation of Road Rollers and Soil Compactors" and all relevant accident prevention regulations.

**For your own personal safety you should only use original spare parts from BOMAG.**

**In the course of technical development we reserve the right for technical modifications without prior notification.**

These operating and maintenance instructions are also available in other languages.

Furthermore, the spare parts catalogue is available from your BOMAG dealer against the serial number of your machine.

Your BOMAG dealer will also supply you with information about the correct use of our machines on landfill sites.

The above notes do not constitute an extension of the warranty and liability conditions specified in the general terms of business of BOMAG.

We wish you successful work with your BOMAG machine.

BOMAG GmbH

Printed in Germany

Copyright by BOMAG

## Foreword

### Please fill in

.....  
Machine type (Fig. 1)

.....  
Serial-number (Fig. 1 and 2)

.....  
Motor type (Fig. 3)

.....  
Motor number (Fig. 3)

#### **i** Note

*Supplement the above data together with the commissioning protocol.*

*During commissioning our organisation will instruct you in the operation and maintenance of the machine.*

*Please observe strictly the safety regulations and all notes on risks and dangers!*

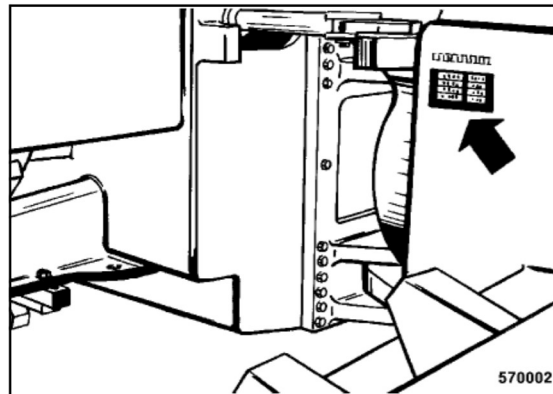


Fig. 1

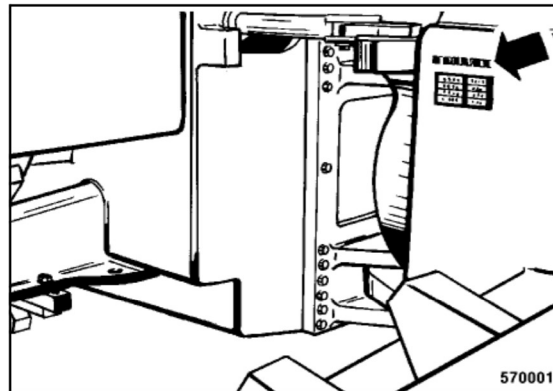


Fig. 2

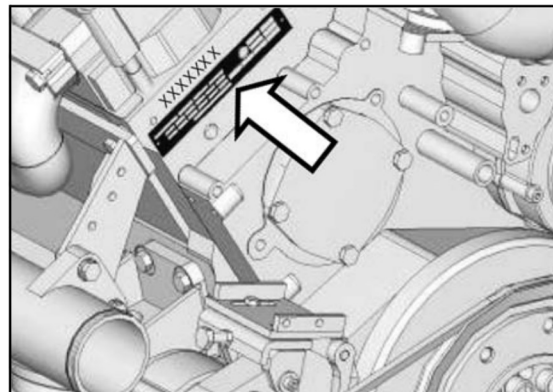


Fig. 3

<b>Technical Data</b>	<b>9</b>
<b>Safety regulations</b>	<b>15</b>
<b>Indicators and Controls</b>	<b>23</b>
3.1 General notes	26
3.2 Description of indicators and control elements	26
<b>Operation</b>	<b>41</b>
4.1 General	42
4.2 Tests before taking into operation	42
4.3 Starting the engine	43
4.4 Starting the engine with jump leads	46
4.5 Resetting the trip mileage to zero	47
4.6 Driving the machine	47
4.7 Driving the machine with rotary speed pre-selection/deceleration pedal	50
4.8 Switching off the rotary speed pre-selection/deceleration pedal	53
4.9 What to do in events of emergency	54
4.10 Operating the dozer blade	55
4.11 Operating the bucket (RS)	56
4.12 Operating the service brake	58
4.13 Operating the parking brake	59
4.14 Starting and adjusting the air conditioning	60
4.15 Air conditioning, switching Reheat – operation on/off	64
4.16 Air conditioning, changing between circulation air/fresh air operation	65
4.17 Air conditioning, heating operation	66
4.18 Shutting down the engine	67
4.19 Parking on a slope	69
4.20 Towing the machine	70
4.21 Transport of the machine	72
<b>Maintenance</b>	<b>75</b>
5.1 General notes on maintenance	76
5.2 Fuels and lubricants	77
5.3 Table of fuels and lubricants	81
5.4 Running-in instructions	82
5.5 Maintenance table	83
5.6 Checking the engine oil level	87
5.7 Checking the fuel level	87
5.8 Check the hydraulic oil level	89
5.9 Check the coolant level	89
5.10 Checking the oil level in the transfer box	90
5.11 Visual inspection of the machine for damage and leaks	91
5.12 Lubricating the joints and bearings on the bucket (RS)	91
5.13 Changing engine oil and oil filter	93

## Table of Contents

5.14	Checking, cleaning the water separator	94
5.15	Servicing the generator V-belt	95
5.16	Servicing the air conditioning compressor V-belt	97
5.17	Servicing the fan V-belt	98
5.18	Battery service, checking the main battery switch	100
5.19	Check the engine mounts	102
5.20	Servicing the air conditioning	102
5.21	Checking condition of radiator, intercooler and hydraulic oil cooler, clean, cleaning the engine	105
5.22	Check the fastening of the scrapers	107
5.23	Checking the oil level in the travel gear	108
5.24	Checking, filling the central lubrication system	109
5.25	Replacing the fresh air and circulation air filters	111
5.26	Check, adjust the valve clearance	113
5.27	Replacing the fuel filter cartridges	114
5.28	Replacing the fuel pre-filter cartridge, bleeding the fuel system	115
5.29	Checking the anti-freeze concentration and the condition of the coolant	117
5.30	Intercooler, draining off oil/condensation water	118
5.31	Checking the fastening of engine / turbo charger / combustion air hoses	118
5.32	Checking the crankcase pressure	119
5.33	Oil change in travel gear	120
5.34	Changing the fuel filter for the cabin heater (diesel)	122
5.35	Checking, cleaning the oil bath air filter for the cabin heater	122
5.36	Change the hydraulic oil fine filter	123
5.37	Changing hydraulic oil and breather filter	125
5.38	Change the coolant	127
5.39	Oil and filter change in transfer box	128
5.40	Checking the condition of the articulated joint	130
5.41	Changing the injection valve	131
5.42	Replacing the crankcase ventilation valve	133
5.43	Changing the coolant pump	133
5.44	Changing the pressure retaining valve on the injection pump	134
5.45	Replacing the glow plugs	134
5.46	Cleaning, changing the dry air filter cartridge	135
5.47	Clean the condenser	137
5.48	Adjust scrapers and edge cutter	139
5.49	Replacing the wheel caps	140
5.50	Checking the cutting plates, replacing the cutting plates if necessary	141
5.51	Fill the provision tank for the windscreen washer system	142
5.52	Drain off dirty fluids from front and rear frame	142
5.53	Retightening bolted connections	143
5.54	Conservation	144
	<b>Trouble shooting</b>	<b>147</b>

6.1 General notes on trouble shooting	148
6.2 Engine problems	149
6.3 General notes on diagnostic push button and control light	153

## Table of Contents

## **1 Technical Data**

## Technical Data

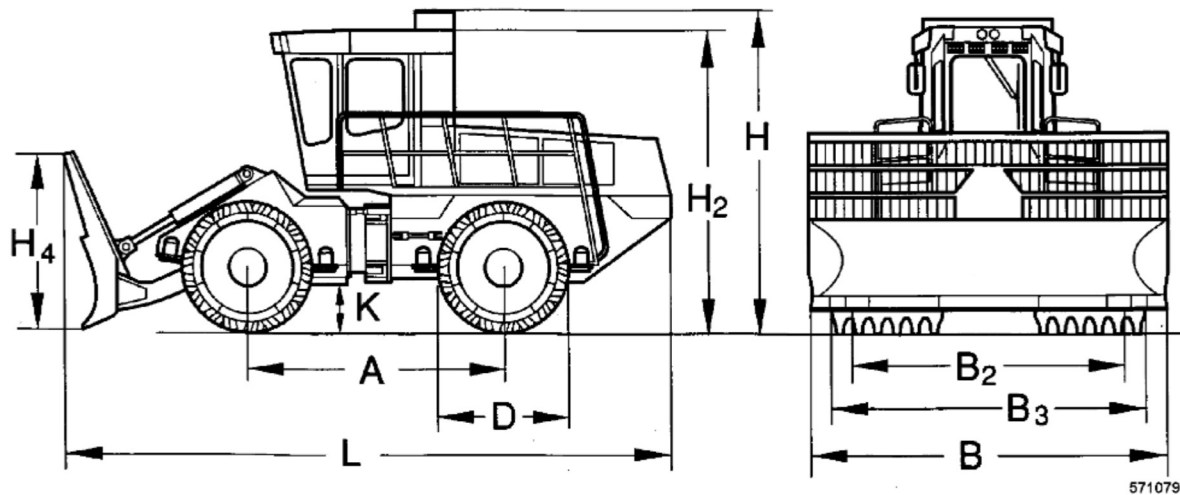


Fig. 4

Dimensions in mm	A	B	B <sub>2</sub>	B <sub>3</sub>	D	H	H <sub>2</sub>	H <sub>4</sub>	K	L
<b>BC 672 RB-2</b>	3500	3800	3550	3775	1660	4120	3820	1950	600	8120
<b>BC 772 RB-2</b>	3500	3800	3550	3775	1660	4120	3820	1950	600	8120

\*

### Weights

		<b>BC 672 RB-2</b>	<b>BC 772 RB-2</b>
Operating weight (CECE)	kg	32100	36500
Front axle load (CECE)	kg	15300	17400
Rear axle load (CECE)	kg	16800	19100
Max. operating weight	kg	32700	37100

### Travel characteristics

		<b>BC 672 RB-2</b>	<b>BC 772 RB-2</b>
Travel speed range I (forward/reverse)	km/h	0 – 4.5	0 – 4.5
Travel speed range II (forward/reverse)	km/h	0 – 12	0 – 12
Max. gradability (depending on soil)	%	100	100
Max. pushing force	kN	346	394

### Engine

		<b>BC 672 RB-2</b>	<b>BC 772 RB-2</b>
Engine manufacturer		Deutz	Deutz
Type		TCD 2015 V06	TCD 2015 V06
Cooling		Water	Water
Number of cylinders		6	6
Rated power ISO 9249	kW	330	330
Rated power acc. to SAE J 1349	hp	442	442
Rated speed	rpm	2100	2100
Electrical equipment	V	24	24
Drive system		hydrostatic	hydrostatic

### Compactor wheels

THANK YOU FOR VISITE WITH

[www.repair-manuals.com](http://www.repair-manuals.com)

**DOWNLOAD THIS FULL MANUAL**

**Until download and place it on your computer We care with you ,We really try our best to complete your orders, so your review is very important to us to improve our services**

WE OFFER

ORIGINAL FACTORY MANUALS , WORKSHOP  
MANUALS , SERVICE MANUALS , REPAIR

OUR VISION : 100 % CUSTOMER SATISFACTION,  
AFTER SALE SERVICE AND KEEP IN TOUCH WITH