

BOMAG

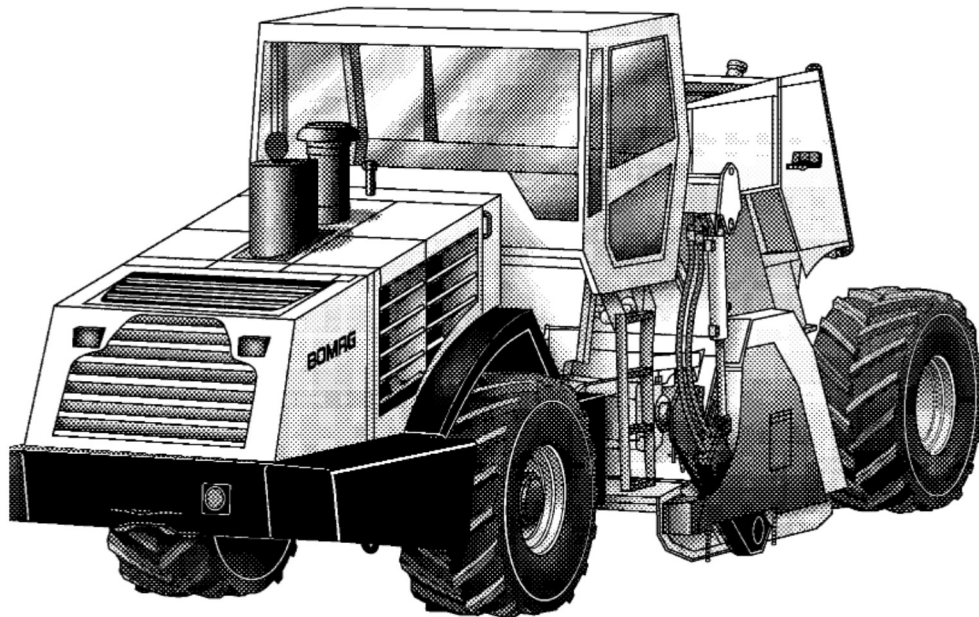
FAYAT GROUP

Operating instructions Maintenance instructions

Original operating instructions

MPH 125

S/N 101 590 21 1015 > S/N 101 590 22



Soil Stabilizer / Recycler

If the machine is equipped with a battery :

CALIFORNIA

Proposition 65 Warning

Battery posts, terminals and related accessories contain lead and lead compounds, chemicals known to the State of California to cause cancer and birth defects or other reproductive harm.

Wash hands after handling.

If the machine is equipped with a diesel engine :

CALIFORNIA

Proposition 65 Warning

The engine exhaust and some of its constituents are known to the state of California to cause cancer, birth defects, and other reproductive harm.

These BOMAG machines are products from the wide range of BOMAG machines for earth work, asphalt and refuse compaction as well as stabilizers/recyclers.

BOMAG's vast experience in connection with state-of-the-art production and testing methods, such as lifetime tests of all important components and highest quality demands guarantee maximum reliability of your machine.

This manual comprises:

- Safety regulations
- Operating instructions
- Maintenance instructions
- Trouble shooting

Using these instructions will

- help you to become familiar with the machine.
- avoid malfunctions caused by unprofessional operation.

Compliance with the maintenance instructions will

- enhance the reliability of the machine on construction sites,
- prolong the lifetime of the machine,
- reduce repair costs and downtimes.

BOMAG will not assume liability for the function of the machine

- if it is handled in a way not complying with the usual modes of use,
- if it is used for purposes other than those mentioned in these instructions.

No warranty claims can be lodged in case of damage resulting from

- operating errors,
- insufficient maintenance and
- wrong fuels and lubricants.

Please note!

This manual was written for operators and maintenance personnel on construction sites.

Always keep this manual close at hand, e.g. in the tool compartment of the machine or in a specially

provided container. These operating and maintenance instructions are part of the machine.

You should only operate the machine after you have been instructed and in compliance with these instructions.

Strictly observe the safety regulations.

Please observe the applicable accident prevention instructions.

For your own personal safety you should only use original spare parts from BOMAG.

In the course of technical development we reserve the right for technical modifications without prior notification.

These operating and maintenance instructions are also available in other languages.

Furthermore, the spare parts catalogue is available from your BOMAG dealer against the serial number of your machine.

Your BOMAG dealer will also supply you with information about the correct use of our machines.

The above notes do not constitute an extension of the warranty and liability conditions specified in the general terms of business of BOMAG.

We wish you successful work with your BOMAG machine.

BOMAG GmbH

Printed in Germany

Copyright by BOMAG

Foreword

Please fill in

.....
Machine type (Fig. 1)

.....
Serial-number (Fig. 1 and 2)

.....
Motor type (Fig. 3)

.....
Motor number (Fig. 3)

i Note

Supplement the above data together with the commissioning protocol.

During commissioning our organisation will instruct you in the operation and maintenance of the machine.

Please observe strictly the safety regulations and all notes on risks and dangers!

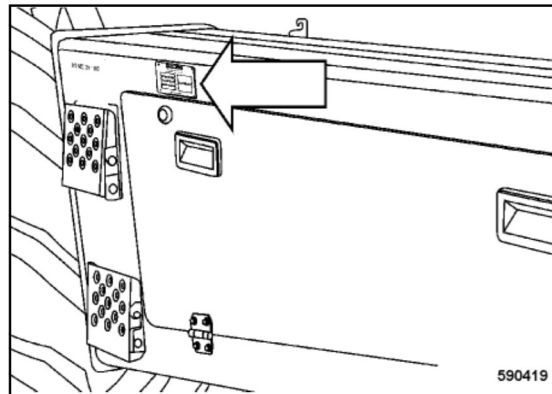


Fig. 1

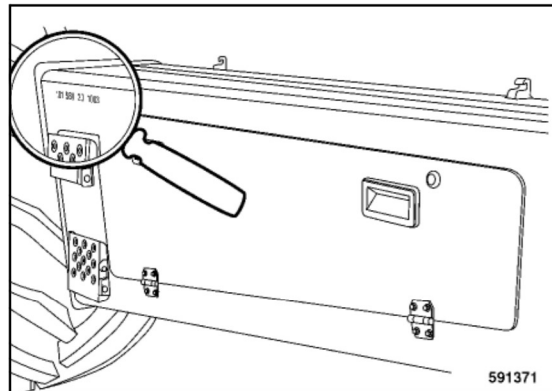


Fig. 2

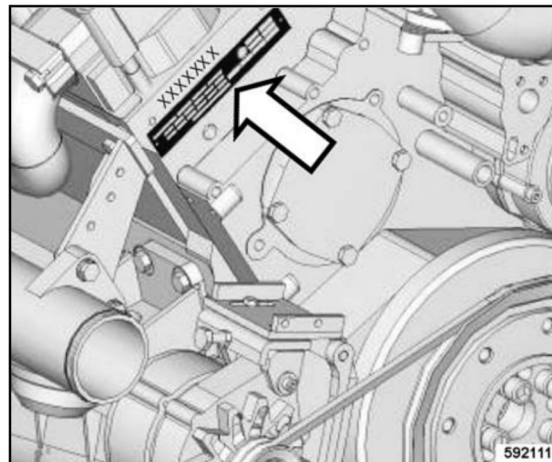


Fig. 3

Technical Data	9
Safety regulations	13
Indicators and Controls	25
3.1 General notes	28
3.2 Description of indicators and control elements	28
Operation	49
4.1 General	50
4.2 Tests before taking into operation	50
4.3 Starting the engine	51
4.4 Starting with jump wires	54
4.5 Adjusting the outside rear view mirrors	55
4.6 Driving the machine off the transport vehicle	55
4.7 Driving the machine to work	57
4.8 Raising the arm consoles during travel	59
4.9 Operating the service brake	60
4.10 Operating the parking brake	61
4.11 Actuating the emergency stop switch	61
4.12 Shutting down engine and machine	62
4.13 Parking on a slope	63
4.14 Preparing for work	64
4.15 Setting the rotor zero position	67
4.16 Starting work	68
4.17 Adjusting the rotor hood tailgate	71
4.18 Adjusting the oscillation angle of the rotor (cross-slope)	72
4.19 Finishing work	74
4.20 LC-Display - changing display fields	76
4.21 LC-Display - changing settings	78
4.22 Changing the paper roll in the measuring value printer	81
4.23 Changing the printer ribbon in the measuring value printer	82
4.24 Emergency operation to raise/lower the cabin	83
4.25 Emergency operation to raise/lower the rotor	84
4.26 Towing	86
4.27 Transport	87
Operation of metering system	89
5.1 General	90
5.2 Selecting the metering system and setting the milling product density	90
5.3 Operation of the mixing water metering system	92
5.4 Operation of emulsion metering system	96
5.5 Operation of binder metering system with foam bitumen	104
5.6 Help screens	113
5.7 Inspection before starting the binder dosing system	118

Table of Contents

5.8	Mixing water connection, preparing for operation	119
5.9	Working with emulsion	120
5.10	Working with foam bitumen	122
5.11	Changing the bitumen nozzles	125
5.12	Test nozzle operation	128
5.13	Finishing work	132
	Maintenance	135
6.1	General notes on maintenance	136
6.2	Fuels and lubricants	137
6.3	Table of fuels and lubricants	142
6.4	Running-in instructions	144
6.5	Maintenance table	145
6.6	Checking the engine oil level	151
6.7	Checking the fuel level	151
6.8	Check the hydraulic oil level	153
6.9	Checking the coolant level	154
6.10	Check the oil level in the transfer box	155
6.11	Checking the condition of the cutters	156
6.12	Check the tire pressure	158
6.13	Visual inspection for leakages and damage, clean the machine	159
6.14	Cleaning intercooler and radiator	160
6.15	Clean the hydraulic oil cooler	161
6.16	Cleaning the compressed air cooler	162
6.17	Clean the transfer box oil cooler	163
6.18	Cleaning the dirt scrapers on the hydraulic cylinders for the rotor hood	163
6.19	Checking the oil level in the lubricator for the compressed air system	164
6.20	Checking the function of the dehumidifier	164
6.21	Cleaning the rotor hood from inside	165
6.22	Checking the rinsing agent level in the rinsing tank	168
6.23	Checking the binder pump for leaks	168
6.24	Checking the thermal oil level	169
6.25	Checking the oil level for the reaction water pump	169
6.26	Cleaning the reaction water filter	170
6.27	Checking the reaction water level	170
6.28	Drain the water from the pressure reducer	171
6.29	Checking the hose on the pressure relief valve of the spray bar	172
6.30	Service the air conditioning	173
6.31	Check the oil level in the front right/left hand travel gear	176
6.32	Check the oil level in the rear axle reduction gear	177
6.33	Cleaning the ventilation filter on the rear axle reduction gear	177
6.34	Check the oil level in the rear axle	178
6.35	Clean the rear axle ventilation valve	178

6.36	Check the oil level in the rear planetary gear	179
6.37	Checking the air pressure in the reaction water pump	179
6.38	Change engine oil and oil filter	181
6.39	Check, clean the water separator	182
6.40	Servicing the generator V-belt	183
6.41	Servicing the air conditioning compressor V-belt	185
6.42	Servicing the fan V-belt	186
6.43	Battery service, checking the main battery switch	188
6.44	Checking the engine mounts	190
6.45	Drain the fuel tank sludge	191
6.46	Check the central lubrication system, fill up	191
6.47	Changing the cabin fresh air filter	193
6.48	Oil change in rotor gearbox, check rotor water level	194
6.49	Changing thermal oil and servicing burner and heat exchanger	200
6.50	Changing the reaction water pump oil	205
6.51	Lubricating the binder pump bearings	205
6.52	Check, adjust the valve clearance	207
6.53	Change the fuel filter	209
6.54	Replace the fuel pre-filter cartridge, bleed the fuel system	210
6.55	Checking the anti-freeze concentration and the condition of the coolant	211
6.56	Intercooler, draining off oil/condensation water	212
6.57	Checking the fastening of engine / turbocharger / combustion air hoses	213
6.58	Checking the crankcase pressure	213
6.59	Oil change in front travel gear	214
6.60	Oil change in rear planetary gear	215
6.61	Change the oil in the rear axle reduction gear	216
6.62	Oil change in rear axle	217
6.63	Changing the air drier	218
6.64	Change the hydraulic oil	219
6.65	Change the hydraulic oil fine filter	221
6.66	Changing the coolant	222
6.67	Change oil and filter in the transfer box	224
6.68	Checking the fire extinguisher .	226
6.69	Changing the injection valve	227
6.70	Replacing the charge pressure control valve	227
6.71	Replace the crankcase ventilation valve	229
6.72	Changing the coolant pump	229
6.73	Changing the pressure retaining valve on te injection pump	230
6.74	Replacing the glow plugs	230
6.75	Checking the compressed air system externally	231
6.76	Strength test of the compressed air system	233
6.77	Air filter maintenance	235

Table of Contents

	6.78 Replacing the cutting teeth/cutting tooth holders	237
	6.79 Mixing water system - clean the water filter, maintenance in case of frost 241	
	6.80 Fill the provision tank for the windscreen washer system	242
	6.81 Change the tires	243
	6.82 Draining the reaction water system, maintenance in case of frost	244
	6.83 Nozzle maintenance	247
	6.84 Replacing the binder pump stuffing boxes	248
	6.85 Tightening torques for screws with metric unified thread	249
	6.86 Conservation	250
Trouble shooting		251
	7.1 General notes	252
	7.2 Engine problems	253
	7.3 Air conditioning system faulty	256
	7.4 Service screens for the metering systems	257
Disposal		261
	8.1 Final shut-down of machine	262

1 Technical Data

Technical Data

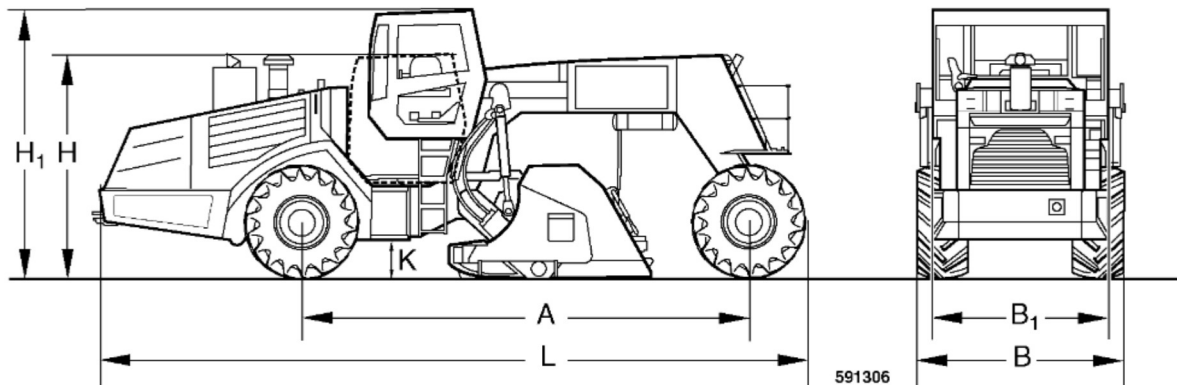


Fig. 4

Dimensions in mm	A	B	B1	H	H1	K	L
MPH 125	6203	2850	2800	3100	3700	510	9990

*

MPH 125

Weights

Operating weight (CECE)	kg	26500
Maximum weight	kg	33200
Front axle load (CECE)	kg	16825
Rear axle load (CECE)	kg	9675

Dimensions

Track radius, inner/outer	mm	3750/6750
---------------------------	----	-----------

Travel characteristics

Travel speed (1)	km/h	0 – 3.0
Travel speed (2)	km/h	0 – 12.0
Max. gradability (depending on soil)	%	40

Drive

Engine manufacturer		Deutz
Type		TCD 2015
Cooling		Fluid
Number of cylinders		8
Rated power ISO 9249	kW	440
Rated power SAE J 1995	hp	590
Rated speed	rpm	1900
Fuel		Diesel
Electrical equipment	V	24
Drive system		hydrostatic
Wheels driven		All wheel drive

THANK YOU FOR VISITE WITH

www.repair-manuals.com

DOWNLOAD THIS FULL MANUAL

Until download and place it on your computer We care with you ,We really try our best to complete your orders, so your review is very important to us to improve our services

WE OFFER

ORIGINAL FACTORY MANUALS , WORKSHOP
MANUALS , SERVICE MANUALS , REPAIR

OUR VISION : 100 % CUSTOMER SATISFACTION,
AFTER SALE SERVICE AND KEEP IN TOUCH WITH