

Parts Catalogue

 **DYNAPAC**
FAYAT GROUP

CP2100 Pneumatic Roller

CP2100 s/n 10000511xxB004940 –
Engine: Cummins QSF 3.8 IIIB/T4 (89kW)



© 2020 Dynapac do Brasil Indústria e Comércio de Máquinas Ltda | No. 4812325103 | 2020 - 01

*Your Partner
on the Road Ahead*

dynapac.com

Service, repair and wear part kits

Service Kit 50h, QSF2.8 & 3.8	1
Service kit 500h, QSF3.8	3
Service kit 500h AOR, QSF3.8	5
Service kit 1000h, QSF3.8	7
Service kit 1000h AOR, QSF3.8	9
Scraper kits	11
4812155698 Sprinkler kit	13
4812155752 Air on the run kit Front	15
4812155751 Air on the run kit Rear	17

Mechanical

Frame assy module

Frame assy module	19
Cover assy	22
Cover	25
Steering cylinder	27
Filter bracket	29
Accumulator	31
Manifold assy	33
Manifold	35
Cover	37
Cover	39
Cover	41

Sprinkler tank module

Sprinkler tank module	43
Sprinkler tank mount	45
Level sensor module	47

Fuel tank module

Fuel tank	49
Cover module	51
Grab handle module	53
Step module	55
Steering cylinder	See page 27
Air leading cover	57
Fuel hose kit	59

Engine hood

Engine Hood Module	61
Engine hood assy	63
Locking device (CP2700 From SN 10000512AJB005570)	65
Compressed Air Pipe Kit	67

Operator platform

Forward-reverse control module

Forward-reverse control module	70
Drive control	73
Control handle	75

Display module

Display module	77
Display unit assy	79
Control module, rotating/sliding	81
Seat frame	83
4700391163 Steering column	86

4700395462 Brake pedal	89
Seat frame adapter module	91
391087 Cross sliding	93
Fire extinguisher	95
4812114766 Rear view mirror module	97
Rear View Mirror Module	99
4812115420 Bracket module	101
Platform, no cab	
Platform, no cab	103
Rops module	
Rops module	105
Rops	107
Manual box	109
Platform module	
Platform module	111
Manual box	See page 109
Platform	113
Hand rail, right	
Hand rail, right	116
Hand rail	119
Hand rail	121
Hand rail, left	
Hand rail, left	123
Hand rail	125
Cab module	
Cab module	127
Cab assembly	
Cab assy	129
Manual box	131
Cab	
Cab	133
Assembly left side	
Assembly left side	135
Accessories left side	137
Glasswork door side	139
Rear plastics assembly	141
Cabin frame	143
Glasswork windscreen	145
Door assembly	147
General installation accessories	149
Cab, electrics	151
Windscreen wipersystem	154
Rear glass wiper set	157
Washer equipments	159
Assembly heater unit	
Heater mount	161
Heater controls	163
Heater	165
Air channel assy	167

Mounting right side

Protective frame asymmetric 169

Cover assy, right side

Cover assy, right side 171
Glasswork right side 173

Wiper system right side

Wiper system right side 175
Windshield wiper, asymmetric side 177
Windshield washer reservoir assy 179
Fastener kit, right side ceiling 181

Standard AC

Condensor module 183
Condensor 185
Hose kit AC 187
Protection cover 189
Compressor module 191
Compressor assy 193
4700393584 Evaporator unit 195
Compressor module 197

Cab Module (from SN xxB005060)

Cab assy 199
Door assy 202
Window LH 205
Window RH 207
Roof 209
Roof assy 211
Washer assy 213
Condensor assy 215
Evaporator unit / accessories 217
Evaporator assy 219
Inner panel 221
Covers assy 223
Compressor module See page 197
Wiring Harness Kit - Power Supply Cab 225

Canopy option

Canopy option 228
Canopy assy 231
Bracket 233

ROPS Module

ROPS Module 235
Rops assy 237
Back Panel assy 243
Roof 245
Internal Roof 247

Engine

Air cleaner module

Air cleaner module 249
Air cleaner assy 251

Exhaust system module

Exhaust pipe 253

Engine module 89kW

Engine module 89kW 255
Engine QSF 3.8 T4F assy 257

Engine module 97kW

Engine module 97kW 259
Engine QSF 3.8 T4F assy 261
Expansion tank module 263
Expansion Tank Hose Kit 265

SCR Module

SCR Module 267
Bracket Assy 269

DEF Reservoir module

DEF Reservoir module 273
Reservoir assy 275
DEF hose assy 277
DEF Supply module 279
Supply module 281

DOC & DTR Module

DOC & DTR Module 283
DOC & DTR assy 285
Air intake hose kit 287
Coolant hose Assy Kit 289
Charge Air Hose Assy Kit 291

Drive

Gear module

Gear module 293
Negative multidisc brake repair kit 295
Gear module sealing kit 297
Gearbox repair kit 299
Gear module repair kit 301

Front suspension

Front suspension 303
Front suspension 305
Hub 307

Wheel module, option Michelin

Wheel module, option Michelin 309

Wheel Michelin

Wheel Michelin 311

4812100082 Wheel module Otani

Wheel module Otani 313

4812100081 Wheel Otani

Wheel Otani 315

Hydraulic system

Hydraulic motor module

Hydraulic motor module 317
Hydraulic motor 319

Control kit	321
Hose assy kit	323
Hydraulic pump module	325
4812118386 Hydraulic valve module overspeed protection	327
Brake valve dynamic valve	329
Thermobypass valve kit	331

Hydraulic oil tank module

Hydraulic oil tank module	333
Hydraulic oil tank assy	335
Bracket assy	337
Bracket assy	339
Bracket module	341
Bracket assy	343

Hydraulic valve module

Hydraulic valve module	345
Hydraulic valve Hydac	347

Hydraulic steering, sliding seat

Hydraulic steering, sliding seat	349
Steering, slideable	351
Carrier	353
Hose bracket	355

Sun valve

Reducing valve	357
----------------	-----

Hydraulic pump module

Hydraulic pump module	359
Hydraulic pump assy	361
Hydraulic pump	363

Fan drive module

Fan drive module	365
Fan drive assy	367
4812116000 Hydraulic oil cooler module	369
4812116002 Charge air cooler	371
4812116001 Water cooler module	373

4812100001 Hydraulic valve module, hard start optional

4812100001 Hydraulic valve module, hard start optional	375
--	-----

4812315442 Bracket module

4812315442 Bracket module	377
---------------------------	-----

4812315441 Valve

4812315441 Valve	379
------------------	-----

Electric system

Battery module	381
Horn module	383
Back-up alarm module	385

Disconnecter battery

Battery disconnecter module	387
Disconnecter battery	389

ECU module

Standard ECU module	391
---------------------	-----

Standard ECU	393
Wiring harness kit	395

Options / Accessories

Air on the run

Air dryer (up to SN xxB005120)

Air dryer kit	397
Pipe and hose kit, Front Air on the run	399
Field kit to dryer (add purge)	401
Field kit for water separator (From SN xxB005121 to xxB005379)	403

Air control Kit (from SN xxB005380)

Air control kit (from SNxxB005380)	405
Pneumatic valve assy	407
Air dryer assy	409
Compressed air pipe kit	411
Hydraulic valve module Air on the run	413
Pipe and hose kit, Rear Air on the run	415
Cover module	417
Hose assy kit	419
Wiring harness kit	421

Compressor module

Compressor module	423
4700396598 Compressor	425
Compressor assy (from SN xxB005539)	427

Hose assy kit

Hose kit	429
----------------	-----

Ballast module

Ballast module 8 plates - 3500 Kg	431
Ballast module 16 Plates - 6600 Kg	433

DCA asphalt temp option

4812110250 Bracket module	435
Cable harness Asphalt temp DCA, front Option	437
Cable harness Asphalt temp DCA, rear Option	439
Asphalt temperatur module	441

Edge cutter

Edge cutter	443
-------------------	-----

Edge cutter, module

Edge cutter, module	445
---------------------------	-----

4700390998 Edge cutter, cpl

4700390998 Edge cutter, cpl	447
-----------------------------------	-----

4700390999 Holder

4700390999 Holder	450
-------------------------	-----

4700391009 Bearing unit

4700391009 Bearing unit	453
-------------------------------	-----

4700387275 Hydraulic cylinder

4700387275 Hydraulic cylinder	455
-------------------------------------	-----

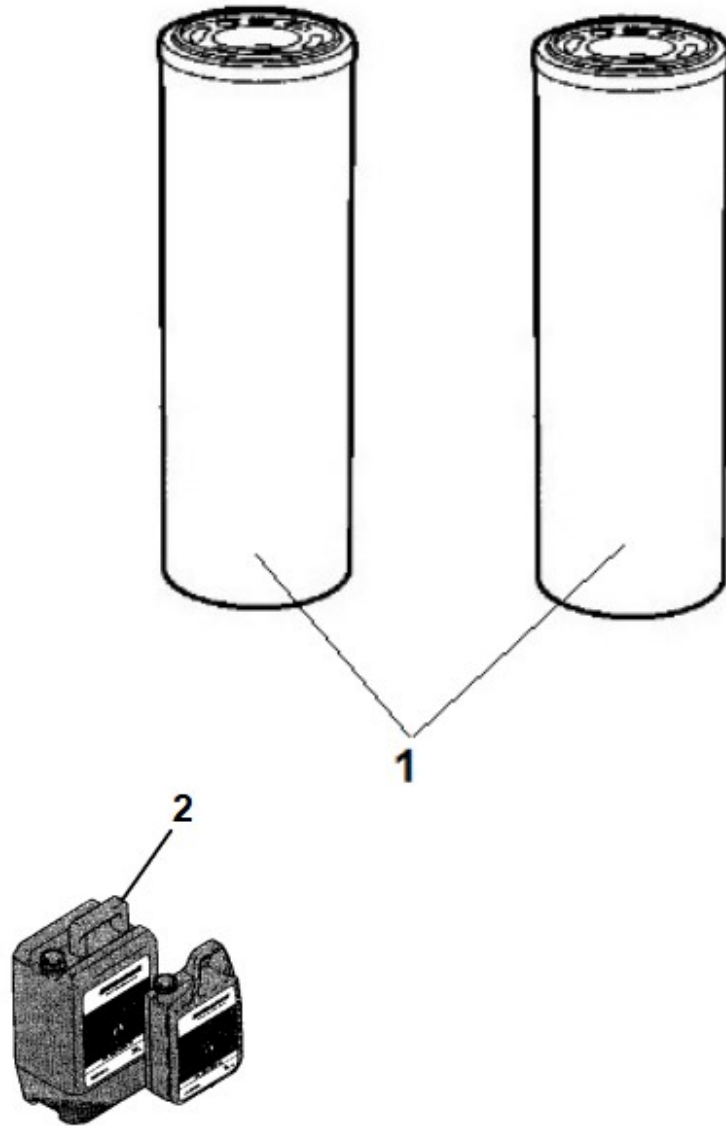
Cutting disc module	
Cutting disc module	457
Hydraulic valve module	
Hydraulic valve module	459
Hydraulic valve	
Hydraulic valve	461
4700391018 Hydraulic valve	
4700391018 Hydraulic valve	463
Bracket module	
Bracket module	465
Disc/Roller holder	
Disc/Roller holder	467
Wiring harness	469
Cocoa mats	
Hose assy kit	471
Wiring harness kit sprinkler	473
Scraper bracket module	
Scraper bracket module	475
Bracket	477
Scraper module	
Scraper module	479
Scraper assy	481
Sprinkler pipe module	
Sprinkler pipe module	483
Sprinkler pipe	485
Sprinkler module	
Sprinkler module	487
Sprinkler pipe	489
Sprinkler pump module	491
Sprinkler pump From SN xxB4621	
Sprinkler pump module	493
Sprinkling pump mount	495
Driving lights RH	
Steering column switch module	497
4812115521 Wiring Harness Kit	499
Driving lights module	501
Driving lights module rear	503
Direction Light Module	505
Wiring harness kit	507
Wiring harness kit	509
Eyelet module, option	
Eyelet module, option	511
Heat cover wheels	
Heat cover wheels, rear	

Protective cover module, Rear	513
Rear apron	515
Bracket Assy - Rear	517
Heat cover wheels, front	
Protective cover module, Front	519
Protective cover mount	521
Bracket assy	523
Lock module	
4700394121 Water tank Lock Module	525
Night worklight LED	
Switch module - Night light	527
Reading light module	529
Wiring Harness Kit - Lightning	531
Working lights module	533
Bracket module	535
Bracket module	537
Rotate beacon	
Rotating beacon module	539
Rotate Beacon From SN 10000511KKB005913	
Rotating Beacon Module	541
Rotating Beacon assy	543
Connection Cable Kit	545
Radio and CD Player	
Radio and cd player	547
Radio and cd player module	549
Loud Speaker Module	551
Rear view Camera	
Camera Wiring Harness	553
Display Rear Camera Assy	555
Backup Camera module	557
Scraper (simple)	
Scraper module	559
Seat belt	
Seat belt module	561
Seat belt 3"	563
Seat comfort	
Seat, fabric suspended (option)	565
Seat STD	
Seat, galon suspended	567
SMV-sign	
4812110250 Bracket module	See page 435
SMV-sign	569
Sprinkler pump back up	
Sprinkler pump back-up	572
Steering valve	
Steering valve	575

Vandal cover
Control panel cover577

Working lights LED
Working lights LED 579

Service, repair and wear part kits Service Kit 50h, QSF2.8 & 3.8

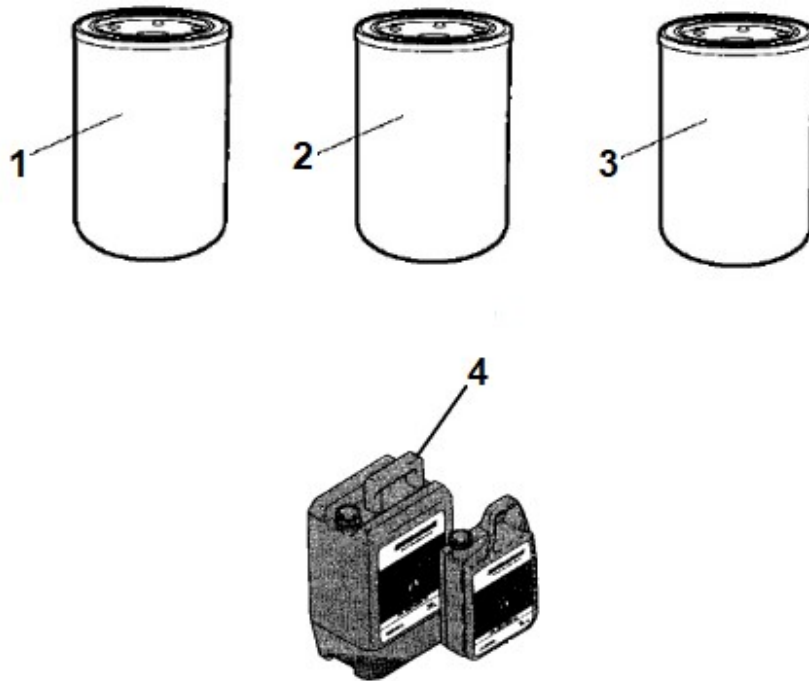


Refer to Parts Online for the most up to date information. The printed information might be outdated.

Fri Sep 03 14:37:47 UTC 2021

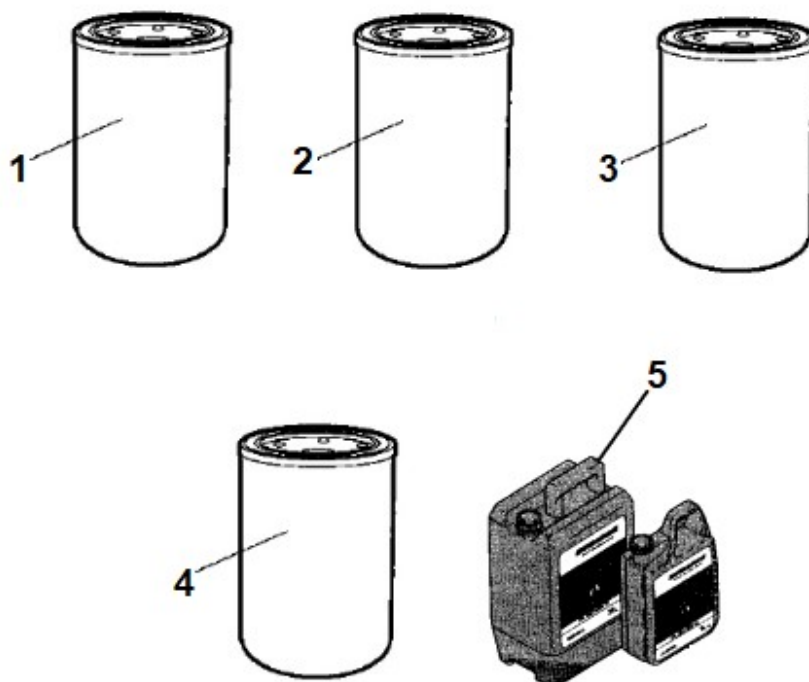
Elemento	N.º de pieza	Nombre	Cant.	L
1	4700372229	Hydraulic oil filter element	2	
2	4812325403	Dynapac gear oil extra / 20 ltrs.	1	

Service, repair and wear part kits Service kit 500h, QSF3.8



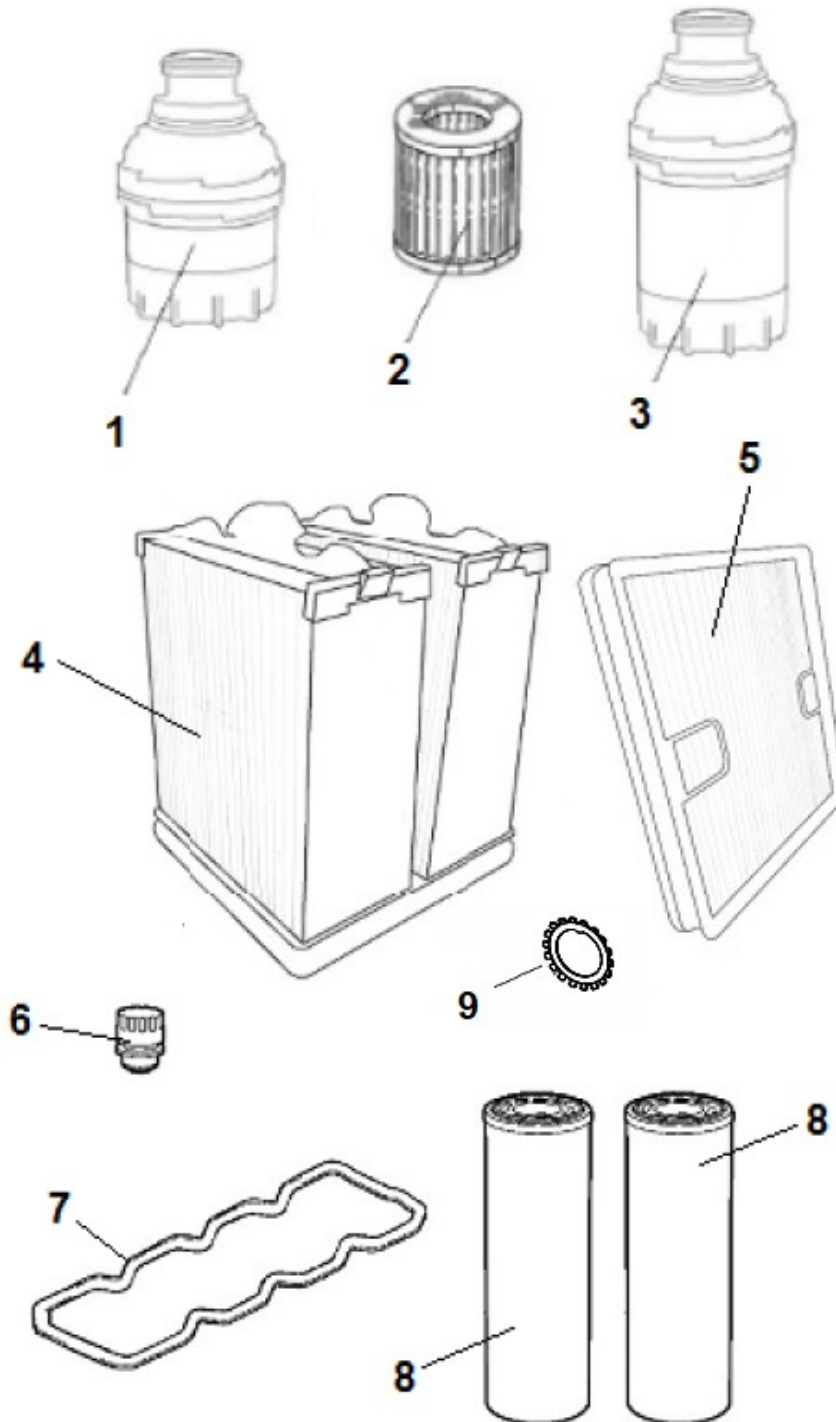
Elemento	N.º de pieza	Nombre	Can t.	L
0	4812325061	Service Kit 500h, QSF3.8	1	
1	4700945145	Oil filter element	1	
2	4812317429	Fuel filter	1	
3	4812160783	Water separator	1	
4		See operation and maintenance manual	7.4 ltrs.	

Service, repair and wear part kits Service kit 500h AOR, QSF3.8



Elemento	N.º de pieza	Nombre	Can t.	L
0	4812325062	Service Kit 500h AOR, QSF3.8	1	
1	4700945145	Oil filter element	1	
2	4812317429	Fuel filter	1	
3	4812160783	Water separator	1	
4	4812100497	Air dryer filter element	1	
5		See the operation and maintenance manual.	7.4 ltrs.	

Service, repair and wear part kits Service kit 1000h, QSF3.8



Refer to Parts Online for the most up to date information. The printed information might be outdated.

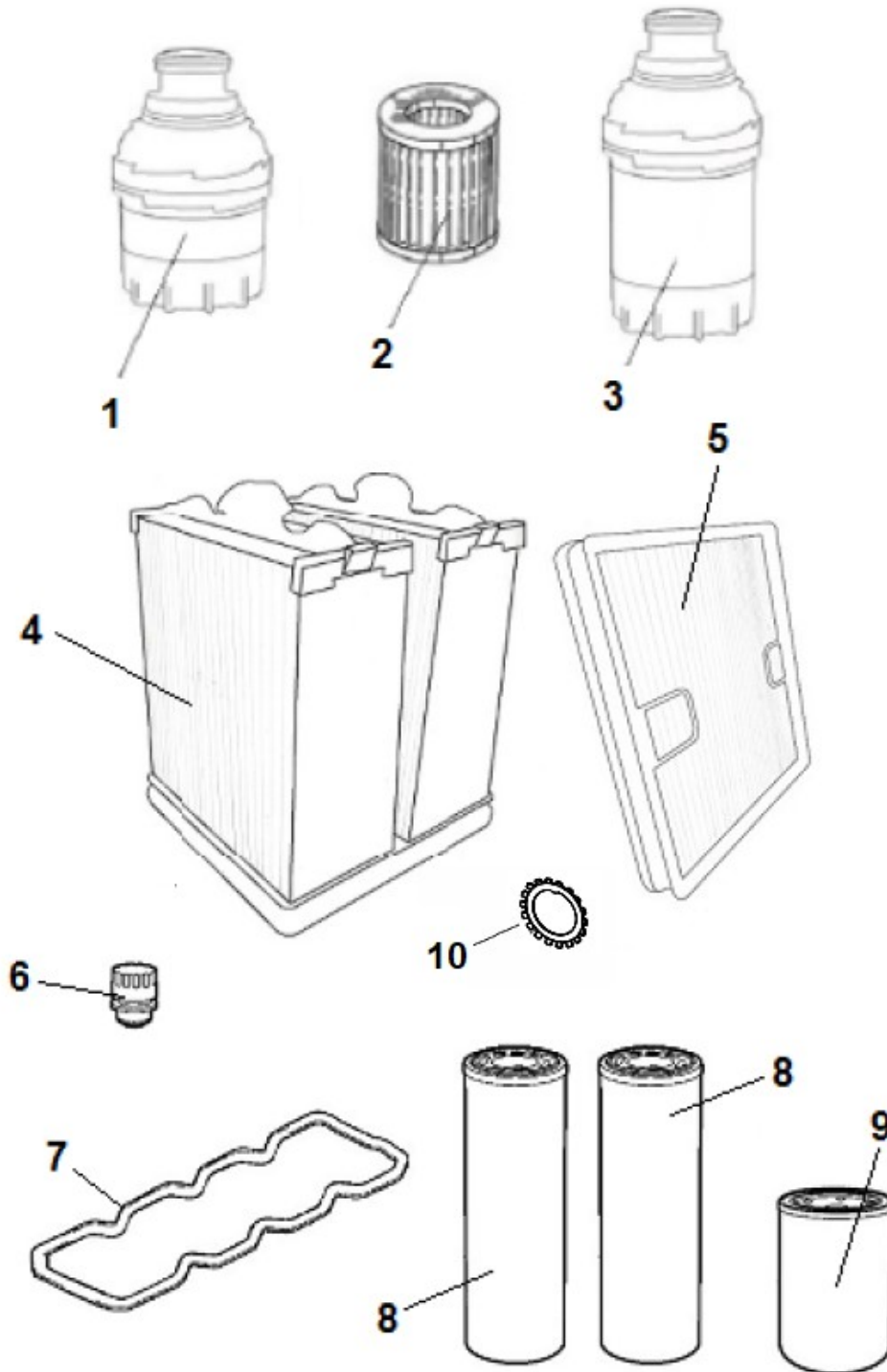
Fri Sep 03 14:37:48 UTC 2021

Elemento	N.º de pieza	Nombre	Can t.	L
0	4812326012	Service Kit 1000h, QSF3.8	1	
1	4700945145	Oil filter element	1	
2	4812317429	Fuel filter	1	
3	4812160783	Water separator	1	
4	4812325055	Air filter element	1	
5	4812325056	Safety filter element	1	
6	4700391026	Ventilating filter	1	
7	4812160896	Gasket, valve cover	1	
8	4700372229	Hydraulic oil filter element	2	
9	4700136011	Lock washer	3	

Refer to Parts Online for the most up to date information. The printed information might be outdated.

Fri Sep 03 14:37:48 UTC 2021

Service, repair and wear part kits Service kit 1000h AOR, QSF3.8



Refer to Parts Online for the most up to date information. The printed information might be outdated.

Fri Sep 03 14:37:48 UTC 2021

Elemento	N.º de pieza	Nombre	Can t.	L
0	4812326013	Service Kit 1000h AOR, QSF3.8	1	
1	4700945145	Oil filter element	1	
2	4812317429	Fuel filter	1	
3	4812160783	Water separator	1	
4	4812325055	Air filter element	1	
5	4812325056	Safety filter element	1	
6	4700391026	Ventilating filter	1	
7	4812160896	Gasket, valve cover	1	
8	4700372229	Hydraulic oil filter element	2	
9	4812100497	Air dryer filter element	1	
10	4700136011	Lock washer	3	

THANK YOU FOR VISITE WITH

www.repair-manuals.com

DOWNLOAD THIS FULL MANUAL

Until download and place it on your computer We care with you ,We really try our best to complete your orders, so your review is very important to us to improve our services

WE OFFER

ORIGINAL FACTORY MANUALS , WORKSHOP
MANUALS , SERVICE MANUALS , REPAIR

OUR VISION : 100 % CUSTOMER SATISFACTION,
AFTER SALE SERVICE AND KEEP IN TOUCH WITH